



Project	
Notes	
Type	Date
Cat. No.	

THF™ Series

Twin Head Floodlight



DESCRIPTION

Integrated long-life LED technology in an affordable, energy saving security lighting solution. Provides maintenance-free general and security illumination for outdoor use in residential and light commercial applications. Bright, uniform illumination is ideal for walkways, yards, patios, parking areas, driveways and egress easements creating an inviting exterior space as well as providing safety and security.

Specification Features

Construction

Two tool-free adjustable heads allow for easy aiming up/down or side to side. Rugged cast aluminum, corrosion-resistant housing in bronze or white. Clear acrylic lenses are fully gasketed to keep out moisture, dirt and bugs.

Qualifications

All luminaires are built to UL 1598 and 2108 standards, and bear appropriate ETL labels. Wet location labeling is standard. Emergency equipped fixtures labeled UL924. Adheres to LM70, LM80, and TM21 industry standards.

Warranty

3-year Limited Warranty. See warranty documentation for more information.

Electrical

120V driver operates at 60Hz.

Installation

Mounts easily to existing junction box on wall or under building eave. Adjustable heads allow precise illumination. Not recommended to wire multiple fixtures in parallel.



THF Series
20W, 1440 Lumens

Rated Life 60,000 hours
Limited Warranty 3 years
Efficacy Up to 72 LPW
Continuous N/A

Quick Ship
THF-20-120-850-WH
THF-20-120-850-ORB

Ordering Information

Example: THF-20-120-850-WH-NM

THF	20	120	8	50	WH	NM
Series THF Head Floodlight with Motion Sensor	Rated Wattage 20-20W, 1440 Lumens ¹	Driver Type 120-120V ¹	CRI 8 80+ CRI	Color Temp 40 4000 K ^{1 2} 50 5000 K ^{1 2} MCT- 2700K, 3000K, 3500K, 4000K, 5000K CCT Adjustable	Color Temp WH- White ¹ ORB- Oil Rubbed Bronze ¹	Options NM- No Motion

Specifications and Dimensions subject to change without notice.

Performance Summary

Input Voltage	120V
Input Frequency	60 Hz
Rated Wattage	See Performance Table
Delivered Lumens	See Performance Table
Efficacy	> 72 LPW (typ.)
CRI	83+, R9 > 0
Available CCT ¹	5000K
Color Consistency ²	5-step MacAdam Ellipse
Rated Life	60,000 hours
L70 ³	> 72,000 hours or > 45,000
Power Factor	> 0.9
THD	< 20%
Dimming	N/A
Operating Temp.	-18°C to 40°C

Performance Data

Lens Type	Form Factor	Catalog No.	Rated Wattage (W)	Delivered Lumens	Efficacy (lm/W)
None	2'	THF-20-120-840-WH	20	1,440	72

NOTES:

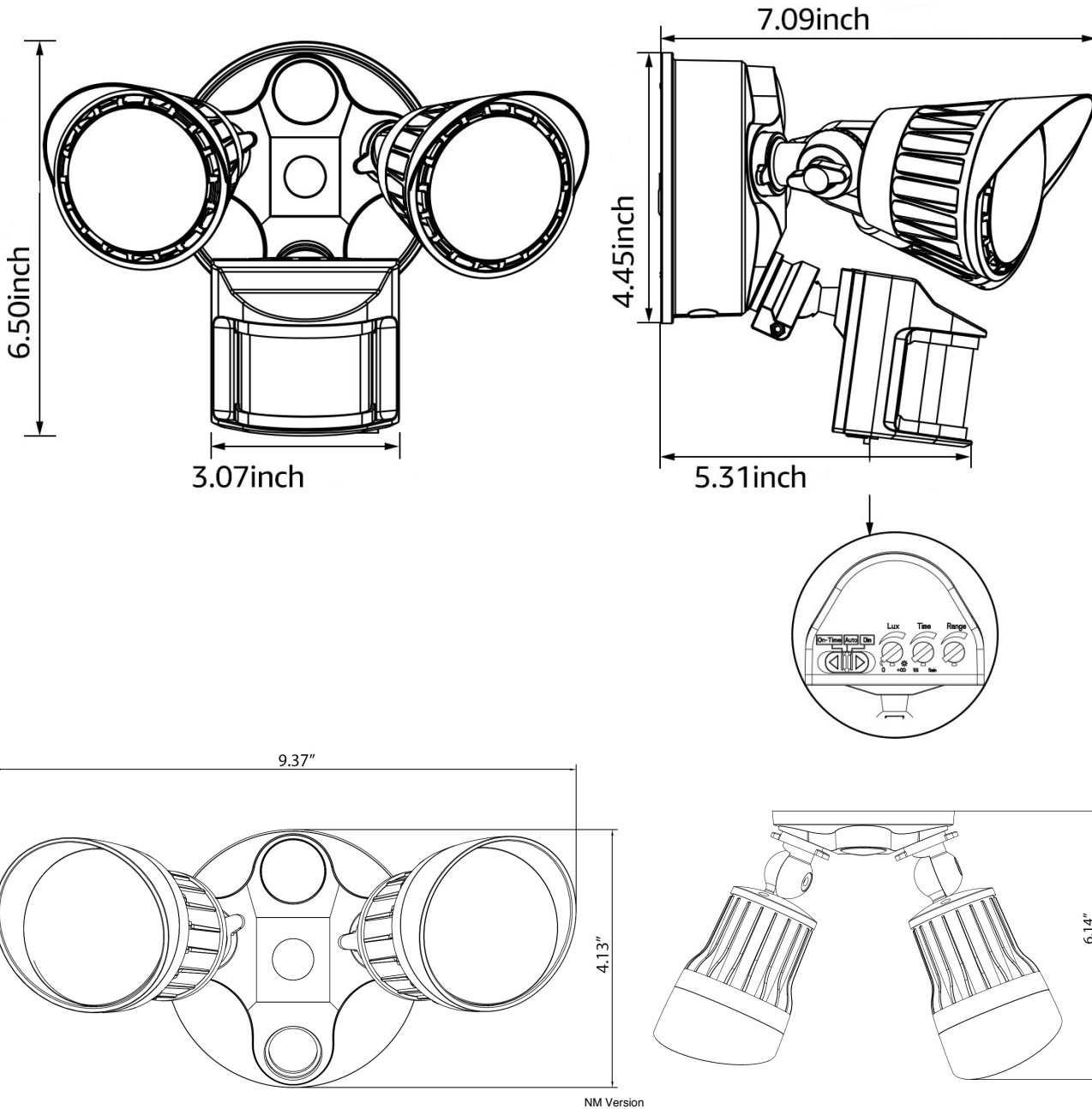
- ¹ Quick ship:
- ² Typical color consistency. May vary or be changed.
- ³ L70 hours calculated based on LED package manufacturer LM80 report and ISTMT report of LED in luminaire. Stated values are for select catalog numbers. Contact manufacturer for detailed information



Specifications and Dimensions subject to change without notice.

Product Dimensions

THF-20



NM Version



© 2019 GlobalLux Lighting, LLC. All rights reserved. For informational purposes only. Reproduction in whole or part is prohibited without prior written consent of the copyright owner. The information presented in this document does not form part of any quotation or contract, is believed to be accurate and reliable and may be changed without notice. No liability will be accepted by the publisher for any consequences of its use. GlobalLux Lighting reserves the rights make changes in specification at any time without notice.

GlobalLux Lighting LLC
www.globalluxlighting.com
2037 S. Vineyard Ave
Ontario, CA 91761
Ph: 909-591-7506