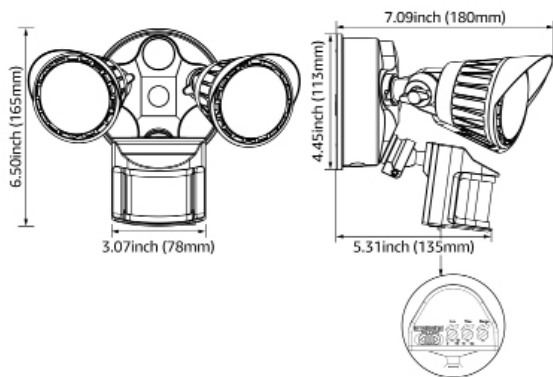


# Ordering Information

## Dimensions



## Specification Features

### Construction

Two tool-free adjustable heads allow for easy aiming up/down or side to side. Rugged cast aluminum, corrosion-resistant housing in bronze or white. Clear acrylic lenses are fully gasketed to keep out moisture, dirt and bugs.

### Qualifications

All luminaires are built to UL 1598 and 2108 standards, and bear appropriate ETL labels. Wet location labeling is standard. Emergency equipped fixtures labeled UL924. Adheres to LM70, LM80, and TM21 industry standards.

### Warranty

3-year Limited Warranty. See warranty documentation for more information.

### Electrical

120V driver operates at 60Hz.

### Installation

Mounts easily to existing junction box on wall or under building eave. Adjustable heads allow precise illumination. Not recommended to wire multiple fixtures in parallel.



THF Series

20W, 1440 Lumens

Rated Life 60,000 hours  
Limited Warranty 3 years  
Efficacy Up to 72 LPW  
Continuous N/A

Quick Ship

THF-20-120-850-WH  
THF-20-120-850-ORB

## Ordering Information

Example: THF-20-120-850-WH

THF	20	120	8	50	WH
<b>Series</b> <b>THF</b> Head Floodlight with Motion Sensor	<b>Rated Wattage</b> 20-20W, 1440 Lumens <sup>1</sup>	<b>Driver Type</b> 120-120V <sup>1</sup>	<b>CRI</b> 8 80+ CRI	<b>Color Temp</b> 40 4000 K <sup>1 2</sup> 50 5000 K <sup>1 2</sup>	<b>Color Temp</b> WH- White <sup>1</sup> ORB- Oil Rubbed Bronze <sup>1</sup>

Specifications and Dimensions subject to change without notice.

<sup>1</sup> Quick ship:

<sup>2</sup> Typical color consistency. May vary or be changed.