



Project	
Notes	
Type	Date
Cat. No.	

PTL™ Series

CCT Adjustable LED Post Top Lantern



PTL Series
55W, (7,150 Lumens)

Rated Life 50,000 hours
Limited Warranty 5 years
Efficacy Up to 130 LPW

Quick Ship

PTL-55-MV-830/40/50-BL

DESCRIPTION

The PTL Series provides even illumination with advanced LED technology, making it an ideal post top lighting solution for exterior walkways, courtyards, and parking lots. The PTL features a polycarbonate precision lens in a Type V “very short” distribution and is easily mounted to a 3” diameter pole using a 2 3/8” tenon adapter.

Specification Features



Construction

Rugged die cast aluminum housing withstands outdoor environments. Outer surface treated with durable bronze power coating to provide resistant to corrosion, rust, weathering, and or degradation. Performance engineered internal heat dissipation fins provide superior thermal management for lens life and reliability.

Qualifications

All luminaires are built to UL 1598 and 2108 standards, and bear appropriate UL labels. Wet location labeling is standard. Adheres to LM70, LM80, and TM21 industry standards. DesignLights Consortium® (DLC) Premium qualified product. Not all product variations listed are DLC qualified. Please visit the DLC Qualified Products List at www.designlights.org/QPL to confirm which models are qualified.

Electrical

Equipped standard with fixed output, 120-277V driver operating at 60Hz. Long Life LED's, at L80 with projected life over 60,000 hours for reduced life cycle maintenance costs. Adjustable CCT at 3000K, 4000K, 5000K.

Installation

Easily mounts to a 3” diameter round pole using a 2 3/8” tenon adapter.

Warranty

5-year Limited Warranty. See warranty documentation for more information.

Ordering Information

Example: PTL-55-MV-830/40/50-BL

PTL	55	MV	830/40/50	BL	P
Series PTL LED Post Top Lantern	Rated Wattage 55- 55W, (7,150 Lumens)	Driver Type MV-120-277V	Color Temp 830/40/50 3000/4000/5000K (80 CRI)	Color Finish BLANK- Oil Rubbed Bronze BL- Black	Option P- Photocell ²

Specifications and Dimensions subject to change without notice.

Performance Summary

Input Voltage	120-277V
Input Frequency	50/60 Hz
Rated Wattage	55
Delivered Lumens	7,150
Efficacy	130 LPW
CRI	80+, R9 > 0
Available CCT ¹	3000/4000/5000K
Color Consistency ²	5-step MacAdam Ellipse
Rated Life	50,000 hours
L70 ³	> 72,000 hours or > 45,000
Power Factor	>0.99
THD	< 20%
Operating Temp.	-18°C to 40°C

Performance Data

Lens Type	Form Factor	Catalog No.	Rated Wattage (W)	Delivered Lumens	Efficacy (lm/W)
Frosted Acrylic		PTL-55-MV-830/40/50	55	7,150	130

NOTES:

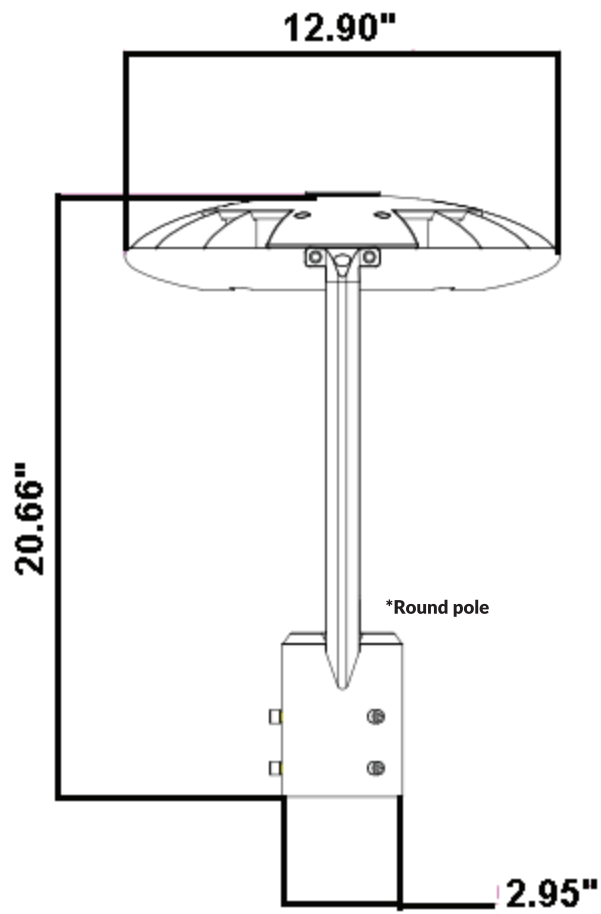
- ¹ Made to order items. Minimum 90 day lead time. Minimum 500 order quantity.
- ² DLC Listed
- ³ Quick ship
- ⁴ Typical color consistency. May vary or be changed.
- ⁵ L70 hours calculated based on LED package manufacturer LM80 report and ISTMT report of LED in luminaire. Stated values are for select catalog numbers. Contact manufacturer for detailed information
- ⁶ Actual performance may differ as a result of end-user environment and application. All values are design or typical values, measured under laboratory conditions at 25 °C.



Specifications and Dimensions subject to change without notice.

Product Dimensions

PTL

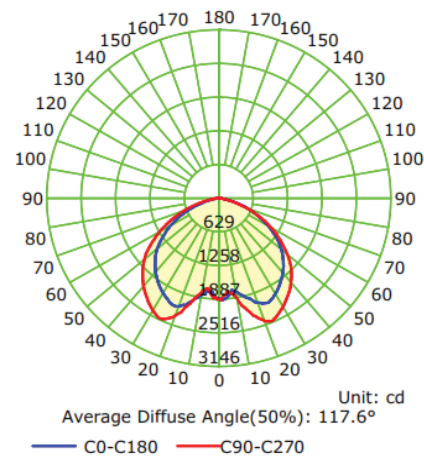


Product **Photometrics**

Zonal Lumen Summary

ZONE	LUMENS	% LAMP LUMENS
FORWARD LIGHT	3409	48.7
FL (0°-30°)	901	12.9
FM (30°-60°)	1938	27.7
FH (60°-80°)	553	7.9
FVH (80°-90°)	17	0.2
BACK LIGHT	3542	50.6
BL (0°-30°)	878	12.6
BM (30°-60°)	2010	28.7
BH (60°-80°)	629	9.0
BVH (80°-90°)	25	0.4
UP LIGHT	42	0.6
UL (90°-100°)	6	0.1
UH (100°-180°)	36	0.5
TRAPPED LIGHT	NA	NA

Polar Candela Curve



Coefficient of Utilization

Reflectance: Ceiling (cavity)	0.7	0.7	0.5	0.5	0.3	0.7	0.7	0.5	0.5	0.3
Wall	0.5	0.3	0.5	0.3	0.3	0.5	0.3	0.5	0.3	0.3
Reference plane	0.2	0.2	0.2	0.2	0.2	0.2	0.2	0.2	0.2	0.2
Room dimensions	Viewed crosswise					Viewed endwise				
X=2H Y=2H	-1.5	-1.5	-1.5	-1.5	-1.5	-1.5	-1.5	-1.5	-1.5	-1.5
3H	-1.5	-1.5	-1.5	-1.5	-1.5	-1.5	-1.5	-1.5	-1.5	-1.5
4H	-1.5	-1.5	-1.5	-1.5	-1.5	-1.5	-1.5	-1.5	-1.5	-1.5
6H	-1.5	-1.5	-1.5	-1.5	-1.5	-1.5	-1.5	-1.5	-1.5	-1.5
8H	-1.5	-1.5	-1.5	-1.5	-1.5	-1.5	-1.5	-1.5	-1.5	-1.5
X=4H Y=2H	-1.5	-1.5	-1.5	-1.5	-1.5	-1.5	-1.5	-1.5	-1.5	-1.5
3H	-1.5	-1.5	-1.5	-1.5	-1.5	-1.5	-1.5	-1.5	-1.5	-1.5
4H	-1.5	-1.5	-1.5	-1.5	-1.5	-1.5	-1.5	-1.5	-1.5	-1.5
6H	-1.5	-1.5	-1.5	-1.5	-1.5	-1.5	-1.5	-1.5	-1.5	-1.5
8H	-1.5	-1.5	-1.5	-1.5	-1.5	-1.5	-1.5	-1.5	-1.5	-1.5
12H	-1.5	-1.5	-1.5	-1.5	-1.5	-1.5	-1.5	-1.5	-1.5	-1.5
X=8H Y=4H	-1.5	-1.5	-1.5	-1.5	-1.5	-1.5	-1.5	-1.5	-1.5	-1.5
6H	-1.5	-1.5	-1.5	-1.5	-1.5	-1.5	-1.5	-1.5	-1.5	-1.5
8H	-1.5	-1.5	-1.5	-1.5	-1.5	-1.5	-1.5	-1.5	-1.5	-1.5
12H	-1.5	-1.5	-1.5	-1.5	-1.5	-1.5	-1.5	-1.5	-1.5	-1.5
X=12H Y=4H	-1.5	-1.5	-1.5	-1.5	-1.5	-1.5	-1.5	-1.5	-1.5	-1.5
6H	-1.5	-1.5	-1.5	-1.5	-1.5	-1.5	-1.5	-1.5	-1.5	-1.5
8H	-1.5	-1.5	-1.5	-1.5	-1.5	-1.5	-1.5	-1.5	-1.5	-1.5

