

GI baLUX

CCT Adjustable Vaportight LED Strip  
LVTS Series

# High Performance Design Can Customize To Your Environment

## Battery Backup

Battery backup available for emergency egress applications.

## High Efficacy LEDs

Performance ranges up to 100 LPW. Long-life 60,000 hour LED's at L80 with projected life over 100,000 hour at L70 hours for reliable performance and minimal maintenance.

## Lens

High impact Frosted polycarbonate Lens provides uniform appearance without LED pixelation.

## Latches

Multiple stainless steel latches.

## CCT Switch

CCT Switch technology can accommodate multiple color temperatures, from the warmest to the coolest tones of white. LVTS color temperature can be adjusted to either 3000K, 4000K, or 5000K.

## Housing

UV stabilized injection molded, impact resistant, polycarbonate housing.

## Hassle-Free Mounting

Quick mounting clips included. Suitable for suspension or surface mounting.

COLOR TEMPERATURE ADJUSTMENT SETTING

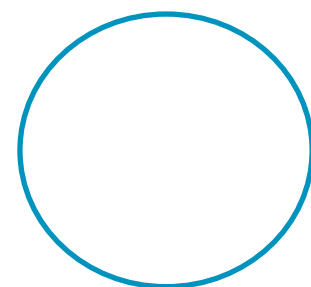
3000K 4000K 5000K



3000K 4000K 5000K

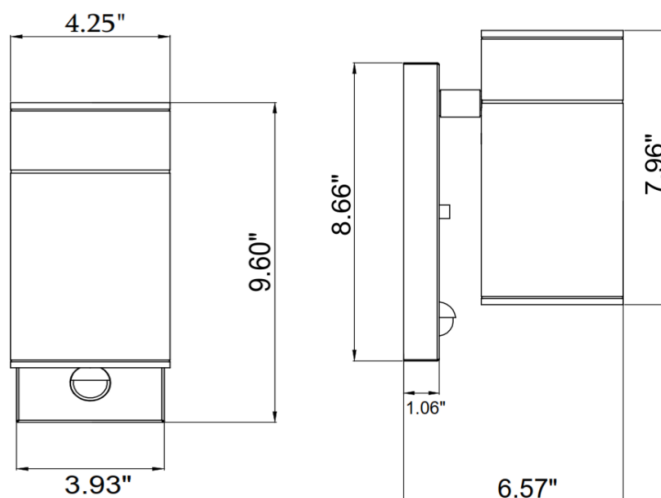


3000K 4000K 5000K



# Ordering Information

## Dimensions



OCMS Series

12- 12W ( 840 Lumens)

Rated Life 60,000 hours  
Limited Warranty 3 years  
Efficacy Up to 70 LPW

Quick Ship

OCMS-D-12-120-830-BL

## Specification Features

### Construction

Rugged die cast aluminum housing withstands outdoor environments. Outer surface treated with durable power coating to provide resistant to corrosion, rust, weathering, and or degradation. Performance engineered internal heat dissipation fins provide superior thermal management for LED life and reliability. Clear Tempered glass lens.

### Qualifications

All luminaires are built to UL 1598 and 2108 standards, and bear appropriate ETL labels. Wet location labeling is standard. Emergency equipped fixtures labeled UL924. Adheres to LM70, LM80, and TM21 industry standards. ENERGY STAR® certified product (for 3000K only). Dedicated 120V Models are FCC Title 47 CFR, Part 15, Class B for residential and commercial applications.

### Electrical

Equipped standard with fixed output 120V driver operating at 60Hz. Long Life LED's, 60,000 hours at L80 with projected life over 100,000 hours for reduced life cycle maintenance costs. 3000K LED color (Kelvin) temperature and > 80 CRI.

### Installation

Designed for wall mounting on 4" electrical J-Box.

### Warranty

3-year Limited Warranty. See warranty documentation for more information.

## Ordering Information

Example: OCMS-D-12-120-830-BL

OCMS	D	12	120	30	BL	P
<b>Series</b> <b>OCMS</b> LED Outdoor Cylinder with Motion Sensor	<b>Distribution</b> D- Down Only <sup>2</sup>	<b>Rated Wattage</b> <b>Down Only</b> 12- 12W (840 Lumens) <sup>2</sup>	<b>Driver Type</b> 120- 120V <sup>2</sup>	<b>Color Temp</b> 830 3000K (80+ CRI)	<b>Finish</b> BL- Black	<b>Options</b> P- Photocell

Specifications and Dimensions subject to change without notice.

# Adders Options & Accessories



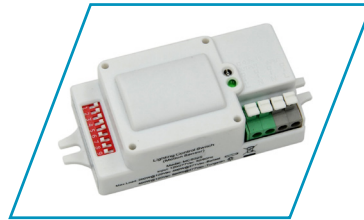
### Fixture Mounted Occupancy, On/Off

An economical fixture mounted sensor utilizing passive infrared technology turns the fixture On/Off.



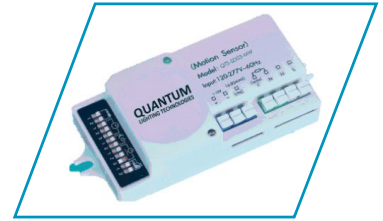
### Microwave Bi-Level Sensor Fixture Mount

An IP65 and remote capable part of the Globalux family of Intelligent sensors that dims the fixture to either 10,20,30, or 50% of full light output for safety and code compliance, and automatically switches to full illumination when the space is occupied.



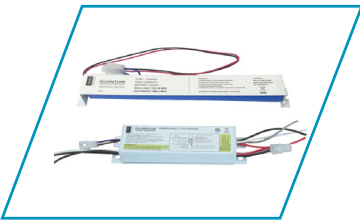
### Integral Microwave Sensor, On/Off

An economical fixture mounted sensor utilizing passive infrared technology turns the fixture On/Off.



### Integral Bi-Level Microwave Sensor

Part of the Globalux family of Intelligent sensors that dims the fixture to either 10,20,30, or 50% of full light output for safety and code compliance, and automatically switches to full illumination when the space is occupied.



### Emergency Battery

The emergency battery back-up provides 90 minutes of power to your fixture in the event of an emergency.



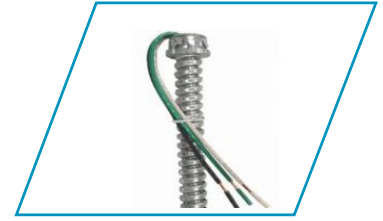
### High Voltage Transformers

High voltage transformers allow the fixture to receive a higher power input of 347V-480V.



### Cords & Plug Option

Standard 6ft cord with custom lengths and plugs available for wiring fixture.



### Fixture Whips

Armored cable fixture whips used for lighting and power distribution.

## Emergency Battery Back-up

EML8	800 Lumen Emergency Battery
EML16	1600 Lumen Emergency Battery

## Motions Sensors

OS	Fixture Mounted Occupancy Sensor
MOS	Integral Mic. Sensor On/Off
MOSB	Integral Mic. Sensor Bi-Level
MOSB-FM	Fixture Mounted Mic. Sensor Bi-Level

## Cords, Plugs and Whips

FW3	3FT Flex 18/4
FW4	4FT Flex 18/4

MV	120-277V
MVD	120-277V; 0-10V Dimming
HVD	347-480V; 0-10V Dimming
HV	347-480V