



Project	
Notes	
Type	Date
Cat. No.	



LWP2 Series
 40W (5,200 Lumens)
 60W (7,800 Lumens)
 80W (10,400 Lumens)
 120W (13,000 Lumens)

LWP2™ Series **LED Wall Pack**

DESCRIPTION
 The LWP family of LED wall packs combine high-performance LEDs, highly-engineered optics to traditional designs to bring you the most advanced line of wall packs on the market. Multiple lumen packages mean there is an LWP that is just right for your lighting needs. The LWP wall packs were designed and engineered as maintenance free and are energy-efficient alternatives to traditional fluorescent, high pressure sodium, and H.I.D. light sources.



Specification Features

Construction
 Rugged die cast aluminum housing withstands outdoor environments. Outer surface treated with durable power coating to provide resistant to corrosion, rust, weathering, and or degradation. Performance engineered internal heat dissipation fins provide superior thermal management for lens life and reliability.

Qualifications
 All luminaires are built to UL 1598 and 2108 standards, and bear appropriate ETL labels. Wet location labeling is standard. Emergency equipped fixtures labeled UL924. Adheres to LM70, LM80, and TM21 industry standards. DesignLights Consortium® (DLC) DLC qualified product. Not all product variations listed are DLC qualified. Please visit the DLC Qualified Products List at www.designlights.org/QPL to confirm which models are qualified.

Electrical
 Equipped standard with 120-277V fixed output driver. Long-Life LED's 60,000 hours at L80 with projected life over 100,000 hours for reduced life cycle maintenance costs.

Installation
 Luminaire mounting designed for standard J-Box. Features multiple conduit entries.

Warranty
 5-year Limited Warranty. See warranty documentation for more information.

Options
 Optional On/Off or Bi-Level Motion Sensor, high voltage transformers and emergency battery backups.

Rated Life 60,000 hours
Limited Warranty 5 years
Efficacy up to 108 LPW
Continuous N/A

Quick Ship / DLC Listed
 LWP2-40-MV-730/40/50
 LWP2-60-MV-730/40/50
 LWP2-80-MV-730/40/50
 LWP2-120-MV-730/40/50

Ordering Information

Example: LWP2-50-MV-730/40/50

LWP	50	MV	8	50	
Series LWP2 LED Wall Pack	Rated Wattage 40- 35W (5,200 Lumens) ² 60- 50W (7,800 Lumens) ² 80- 75W (10,400 Lumens) ² 120- 120W (13,000 Lumens) ²	Driver Type MV- 120-277V HV- 347-480V ¹	CRI 8 80+ CRI ²	Color Temp 30/40/50- 3000/4000/5000K	
		Emergency Backup EML-20-HVDC	Controls OSBL-WP- Fixture Mounted Bi-Level Occupancy Sensor	Accessories P - Photocell	

Specifications and Dimensions subject to change without notice.

Performance Summary

Input Voltage	120-277V
Input Frequency	50/60 Hz
Rated Wattage	See Performance Table
Delivered Lumens	See Performance Table
Efficacy	> 108 lm/W
CRI	70+, R9 > 0
Available CCT ¹	3000/4000/5000K
Color Consistency ²	5-step MacAdam Ellipse
Rated Life	60,000 hours
L70 ³	> 72,000 hours or > 45,000
Power Factor	>0.93
THD	< 2.3%
Dimming	N/A
Operating Temp.	-18°C to 40°C

Performance Data

Lens Type	Form Factor	Catalog No.	Rated Wattage (W)	Delivered Lumens	Efficacy (lm/W)
Frosted Acrylic		LWP2-35-MV-8xx	40W	5,200	130
		LWP2-50-MV-8xx	60W	7,800	130
		LWP2-120-MV-8xx	120W	13,000	108

NOTES:

- ¹ Made to order items. Minimum 90 day lead time. Minimum 500 order quantity.
- ² DLC Listed
- ³ DLC Premium Listed
- ⁴ Quick ship: 5000K. Other CCTs may require a lead time or be special order
- ⁵ Typical color consistency. May vary or be changed.
- ⁶ L70 hours calculated based on LED package manufacturer LM80 report and ISTMT report of LED in luminaire. Stated values are for select catalog numbers. Contact GlobaLux for detailed information.
- ⁷ Actual performance may differ as a result of end-user environment and application. All values are design or typical values, measured under laboratory conditions at 25 °C.

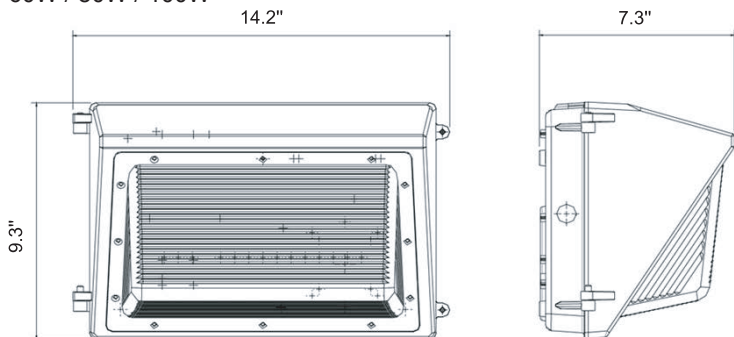


Specifications and Dimensions subject to change without notice.

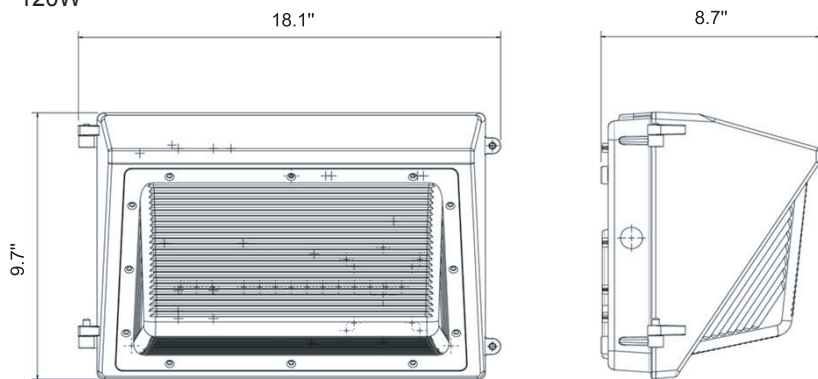
Product Dimensions

LWP

60W / 80W / 100W



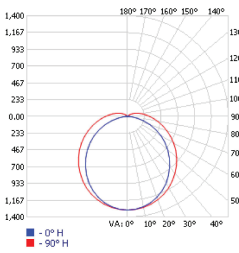
120W



Photometric Data

LWP-50-MVD-850 Tested in accordance to IESNA LM-79

Polar Candela Curve



Zonal Lumen Summary

ZONE	LUMENS	% LAMP	% LUMINAIRE
0-30	1,013.7	22%	22%
0-40	1,668.1	36.2%	36.3%
0-60	3,013.9	65.5%	65.5%
60-90	1,229.6	26.7%	26.7%
70-100	846.1	18.4%	18.4%
90-120	315.8	6.9%	6.9%
0-90	4,243.4	92.2%	92.2%
90-180	356.8	7.8%	7.8%
0-180	4,600.3	99.9%	100%