



Project	
Notes	
Type	Date
Cat. No.	

**LSA2™ Series** **LED Shoe Box Area Light**



**DESCRIPTION**

The LSA2 Series is an energy efficient LED area light. Intended to replace a 250W or 400W metal handle area light. Re-lamping once every 12 to 15 Years, instead of every 6 months makes this an attractive fixture for new construction and retrofit lighting upgrades. Perfect for hard to service locations. Rugged die cast design ensures LED's operate at optimum temperature for long life. Sealed to the environment for long reliable service life.

- LSA2 Series**
- 100W (11,000 Lumens)
  - 150W (16,500 Lumens)
  - 200W (24,200 Lumens)
  - 300W (33,000 Lumens)



**Specification Features**

**Construction**

Rugged die cast aluminum housing withstands outdoor environments. Outer surface treated with durable power coating to provide resistance to corrosion, rust, weathering, and or degradation. Performance engineered internal heat dissipation fins provide superior thermal management for lens life and reliability.

**Qualifications**

All luminaires are built to UL 1598 and 2108 standards, and bear appropriate ETL labels. Wet location labeling is standard. Emergency equipped fixtures labeled UL924. Adheres to LM70, LM80, and TM21 industry standards. DesignLights Consortium® (DLC) DLC qualified product. Not all product variations listed are DLC qualified. Please visit the DLC Qualified Products List at [www.designlights.org/QPL](http://www.designlights.org/QPL) to confirm which models are qualified.

**Electrical**

Equipped standard with fixed output driver. Optional 0-10V continuous dimming driver that works with any standard 0-10V control/dimmer. Long-Life LED's 60,000 hours at L80 with projected life over 100,000 hours for reduced life cycle maintenance costs. Ships Standard with Short Cap and Receptacle for twist lock photocell (sold separately).

**Installation**

Luminaire can be mounted via three mounting options: Yoke mount, Slipfitter, and Square Pole Mount.

**Warranty**

5-year Limited Warranty. See warranty documentation for more information.

**Options**

Optional On/Off or Bi-Level sensor, high voltage transformers, emergency battery backups, whips and cords.

- Rated Life 60,000 hours
- Limited Warranty 5 years
- Efficacy up to 100 LPW
- Continuous Dimming



**Quick Ship/ DLC Listed**

While Supplies Last

**Ordering Information**

Example: LSA2-150-MV-850

LSA2	150	MV	V	8	50	
<b>Series</b>	<b>Rated Wattage</b>	<b>Driver Type</b>	<b>Light Distribution</b>	<b>CRI</b>	<b>Color Temp</b>	
LSA2 LED Shoe Box Area Light	100-100W (11,000 Lumens) <sup>2</sup>	MV-120-277V <sup>2</sup> MVD- 120-277V; 0-10V Dimming <sup>1</sup>	III-Type 3 Distribution <sup>1</sup> V- Type 5 Distribution <sup>2</sup>	8 80+ CRI <sup>2</sup>	50 5000K <sup>2</sup>	
	150-150W (16,500 Lumens) <sup>2</sup>					
	200-220W (24,200 Lumens) <sup>1</sup>					
	300-300W (33,000 Lumens) <sup>1</sup>					
<b>Options</b>						
			<b>Mounting</b> <i>Order as Seperate Line Item</i> LSA-SF- Slipfitter (2 5/8") LSA-SPM- Pole Mount (4-6") LSA-YM- Yoke Mount	<b>Controls</b> MOSB-LSA- Bi-Level Microwave Occupancy Sensor PC-LSA- Photocell		

Specifications and Dimensions subject to change without notice.

**Performance Summary**

Input Voltage	120-277V
Input Frequency	50/60 Hz
Rated Wattage	See Performance Table
Delivered Lumens	See Performance Table
Efficacy	> 130 lm/W
CRI	80+, R9 > 0
Available CCT <sup>1</sup>	5000K
Color Consistency <sup>2</sup>	5-step MacAdam Ellipse
Rated Life	60,000 hours
L70 <sup>3</sup>	> 72,000 hours or > 45,000
Power Factor	>0.99
THD	< 2.3%
Dimming	0-10V Continuous
Operating Temp.	(10-100%) -18°C to 40°C

**Performance Data**

Lens Type	Form Factor	Catalog No.	Rated Wattage (W)	Delivered Lumens	Efficacy (lm/W)
Frosted Acrylic		LSA2-100-MV-850	100W	13,000	130
		LSA2-150-MV-850	150W	19,500	130
		LSA2-200-MV-850	200W	26,000	130
		LSA2-300-MV-850	300W	39,000	130

NOTES:

- <sup>1</sup> Made to order items. Minimum 90 day lead time. Minimum 500 order quantity.
- <sup>2</sup> DLC Listed
- <sup>3</sup> DLC Premium Listed
- <sup>4</sup> Quick ship: 5000K. Other CCTs may require a lead time or be special order
- <sup>5</sup> Typical color consistency. May vary or be changed.
- <sup>6</sup> L70 hours calculated based on LED package manufacturer LM80 report and ISTMT report of LED in luminaire. Stated values are for select catalog numbers. Contact GlobaLux for detailed information.
- <sup>7</sup> Actual performance may differ as a result of end-user environment and application. All values are design or typical values, measured under laboratory conditions at 25 °C.

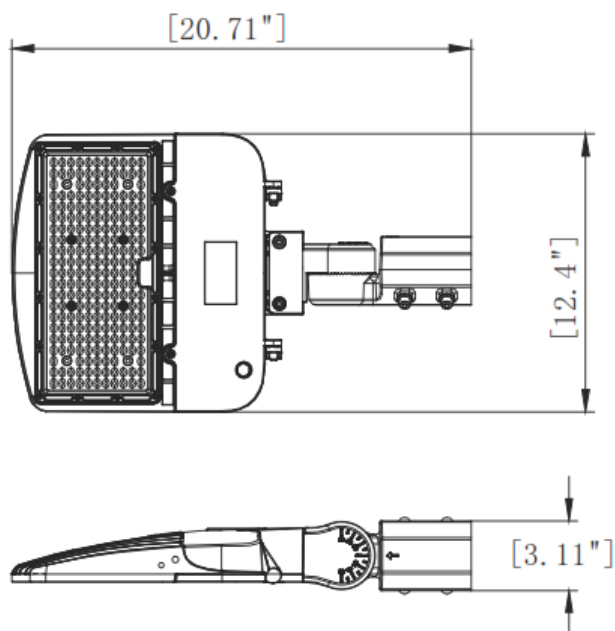
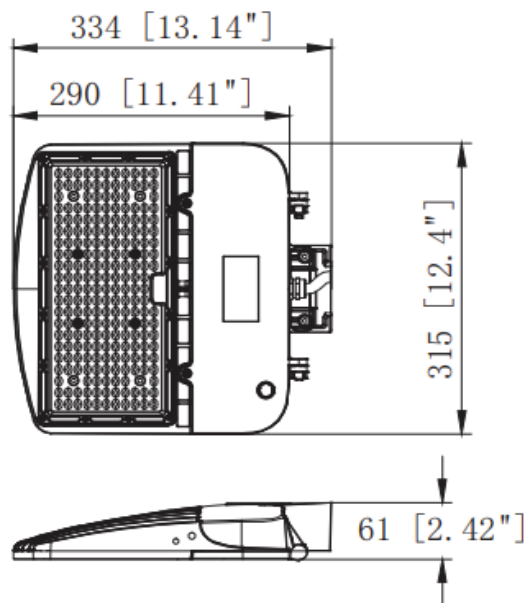


Specifications and Dimensions subject to change without notice.

Product Dimensions

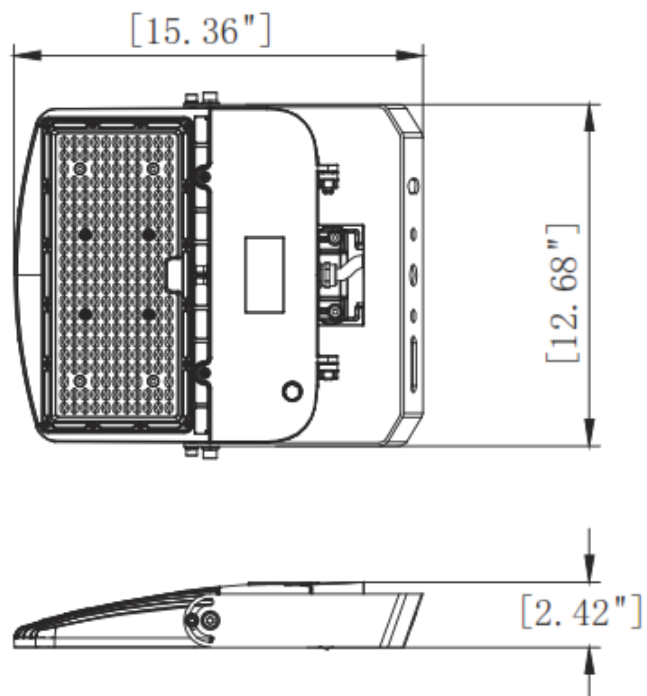
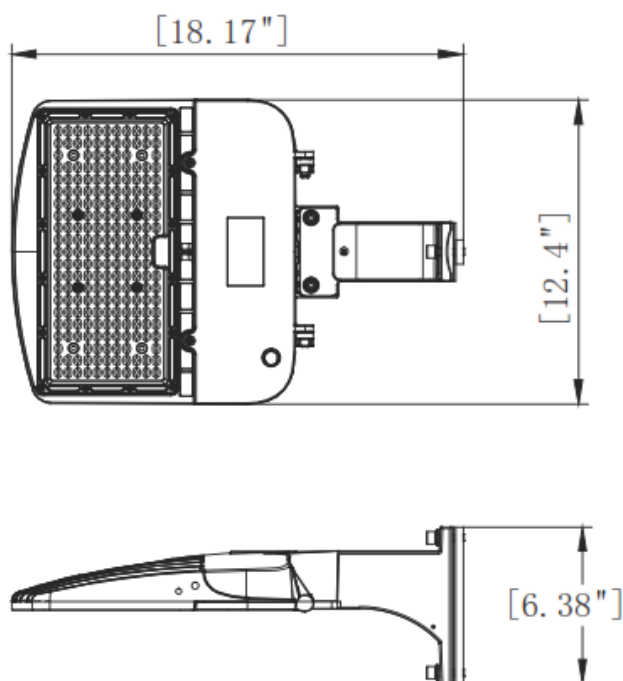
LSA2-100/150

~~XXXXXXXXXXXX~~ Mount



Fixed Arm Mount

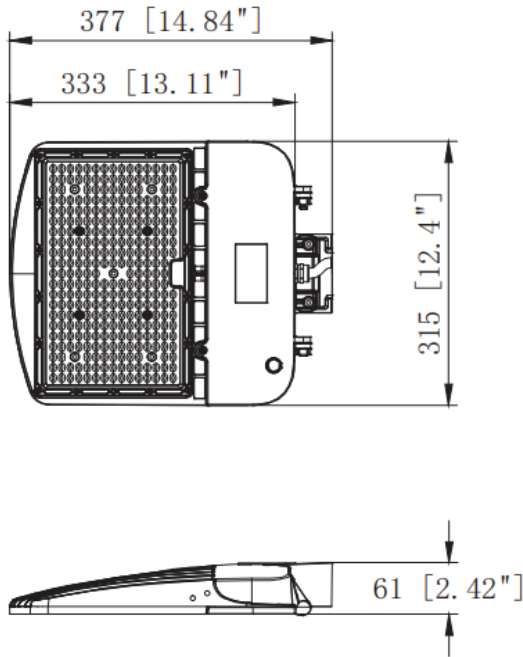
Yoke Mount



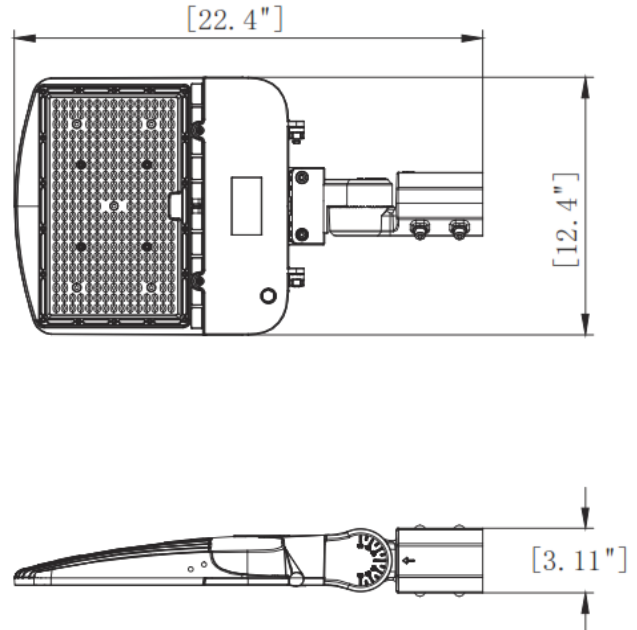
Specifications and Dimensions subject to change without notice.

Product Dimensions

LSA2-200

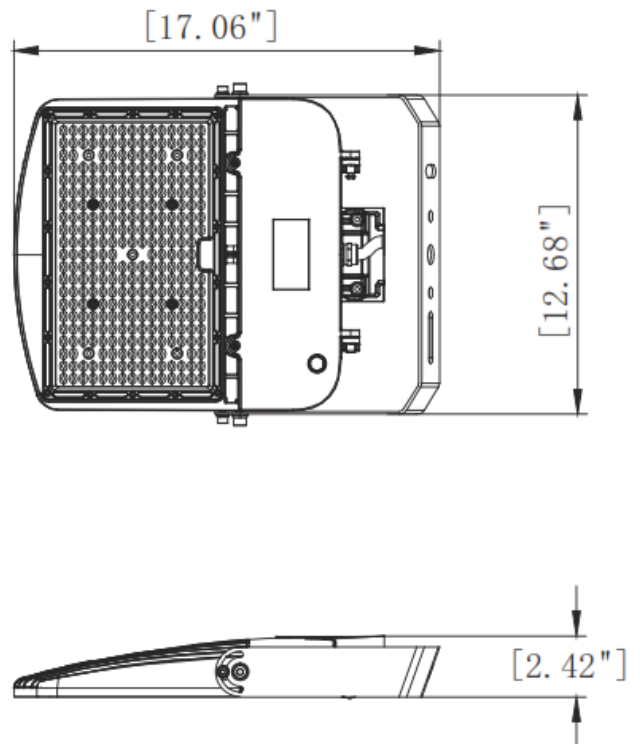
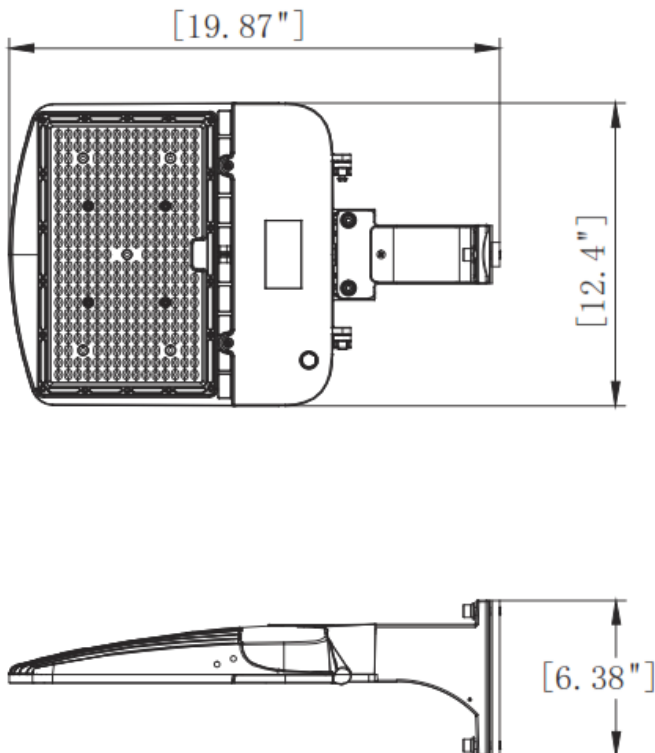


Mount



Fixed Arm Mount

Yoke Mount

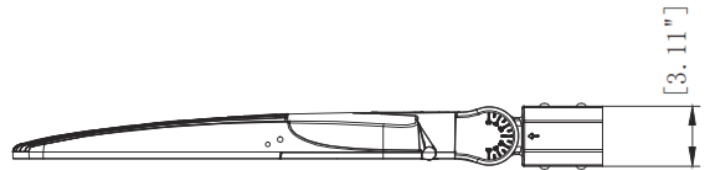
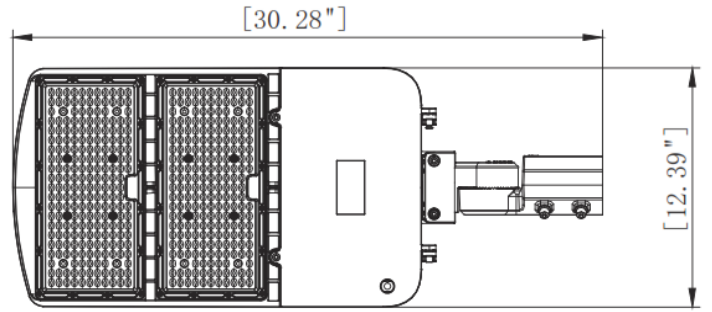
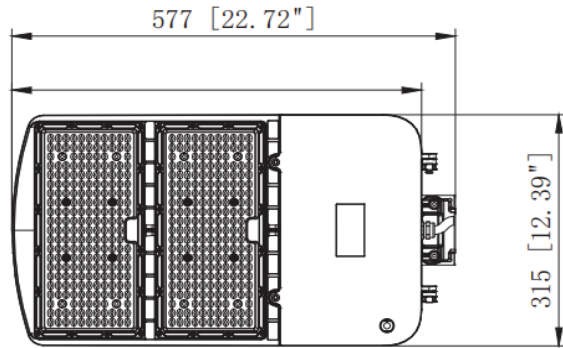




Product Dimensions

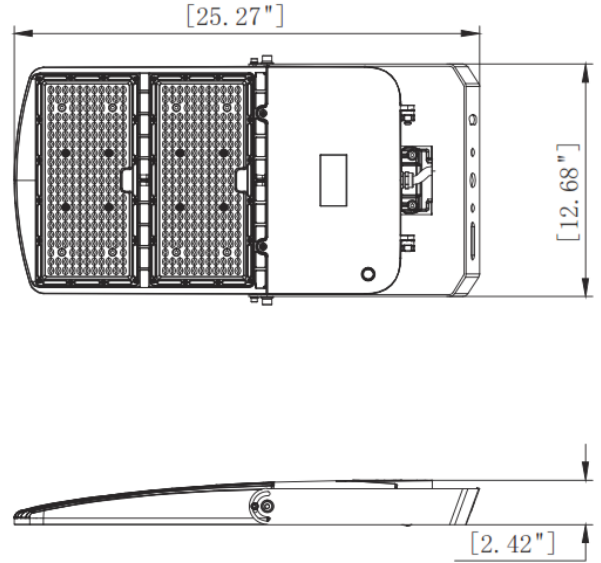
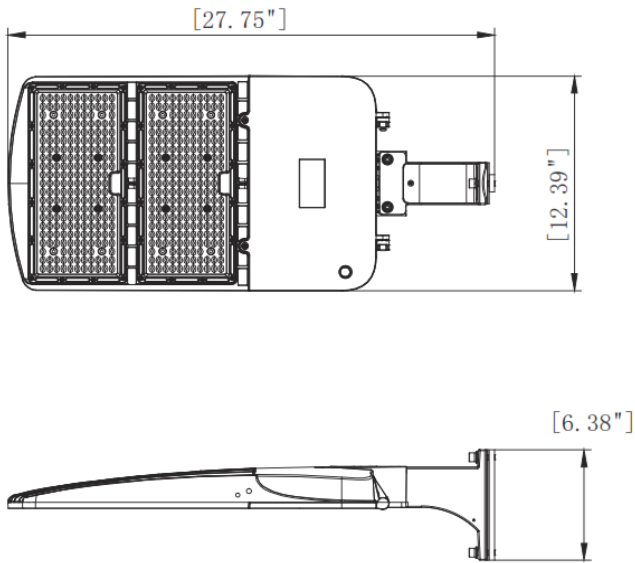
LSA2-240/300

XXXXXXXXXXXX Mount



Fixed Arm Mount

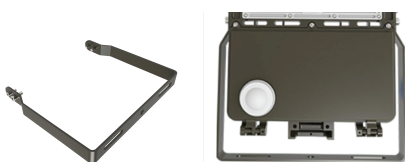
Yoke Mount



Yoke Mount

Slipfitter

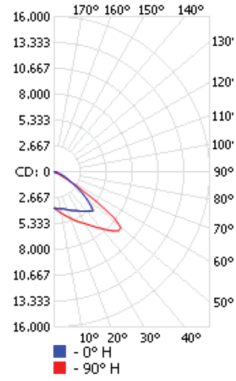
Pole Mount



Photometric Data

LSA2-150-MV-850 Tested in accordance to IESNA LM-79

Polar Candela Curve



Zonal Lumen Summary

Zone	Lumens	% Lamp	% Luminaire
0-30	3,396.30	21.10%	21.20%
0-40	6,201.30	38.60%	38.70%
0-60	14,019.30	87.20%	87.50%
60-90	2,000.50	12.40%	12.50%
0-90	16,019.80	99.70%	100%

Coefficients of Utilization

Effective Floor Cavity Reflectance 20%

RCC %:	80				70				50	
	70	50	30	0	70	50	30	0	50	30
RCR: 0	1.19	1.19	1.19	1.19	1.16	1.16	1.16	1	1.11	1.11
1	1.09	1.05	1.01	0.98	1.07	1.03	0.99	0.86	0.99	0.96
2	1	0.92	0.85	0.8	0.97	0.9	0.84	0.73	0.87	0.82
3	0.91	0.8	0.72	0.66	0.88	0.79	0.71	0.62	0.76	0.69
4	0.82	0.7	0.62	0.55	0.8	0.69	0.61	0.52	0.67	0.6
5	0.75	0.62	0.53	0.47	0.73	0.61	0.53	0.44	0.59	0.51
6	0.69	0.55	0.46	0.4	0.67	0.54	0.46	0.38	0.53	0.45
7	0.63	0.5	0.41	0.34	0.62	0.49	0.4	0.33	0.47	0.4
8	0.59	0.45	0.36	0.3	0.57	0.44	0.36	0.29	0.43	0.35
9	0.54	0.41	0.32	0.26	0.53	0.4	0.32	0.26	0.39	0.31
10	0.51	0.37	0.29	0.24	0.49	0.37	0.29	0.23	0.36	0.28

Nema Light Patterns

Type III



Type IV



Type V



© 2019 GlobaLux Lighting, LLC. All rights reserved. For informational purposes only. Reproduction in whole or part is prohibited without prior written consent of the copyright owner. The information presented in this document does not form part of any quotation or contract, is believed to be accurate and reliable and may be changed without notice. No liability will be accepted by the publisher for any consequences of its use. GlobaLux Lighting reserves the rights make changes in specification at any time without notice.

GlobaLux Lighting LLC  
 www.globaluxlighting.com  
 2037 S. Vineyard Ave  
 Ontario, CA 91761  
 Ph: 909-591-7506