



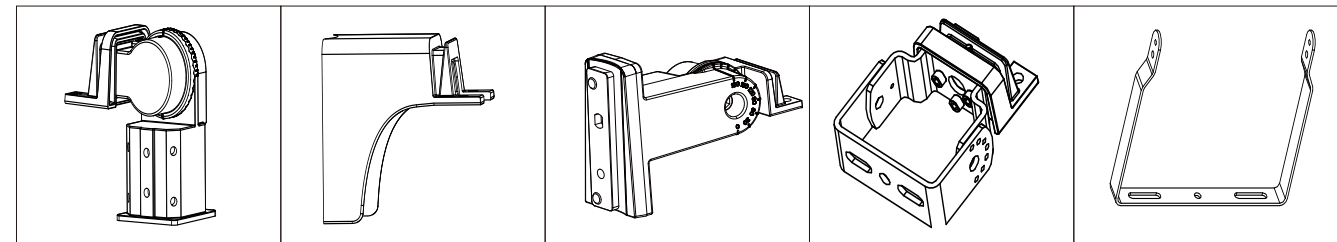
CAUTIONS

READ AND FOLLOW ALL SAFETY INSTRUCTIONS

1. DANGER- Risk of shock- Turn-Off the power before installation.
2. This luminaire must be installed in accordance with the NEC or your local electrical code.
3. Suitable for wet location and operation in ambient not exceeding 40°C
4. Min 75°C supply conductors.
5. Replace the Lens if damaged

INSTALLATION INSTRUCTIONS

LED SHOE BOX LIGHT



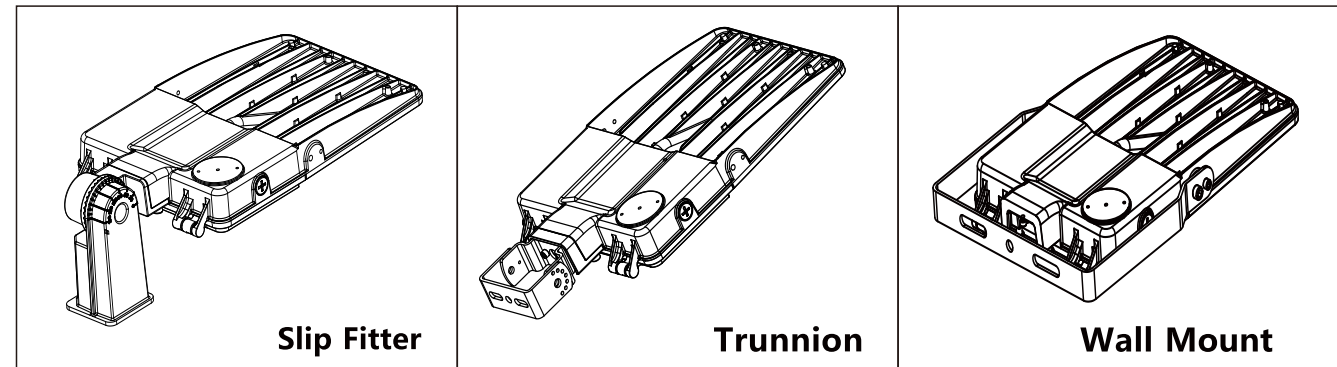
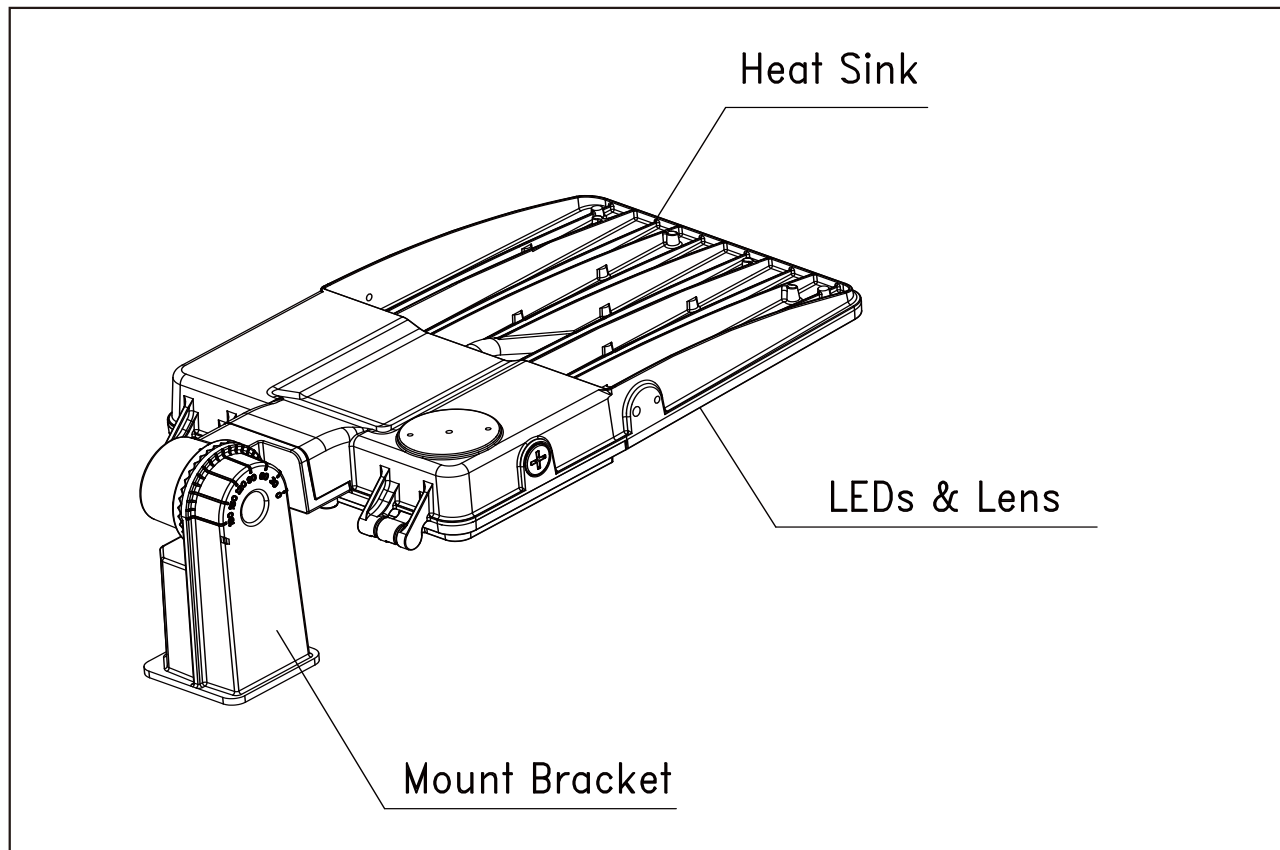
Bracket "A"

Bracket "B"

Bracket "B2"

Bracket "C"

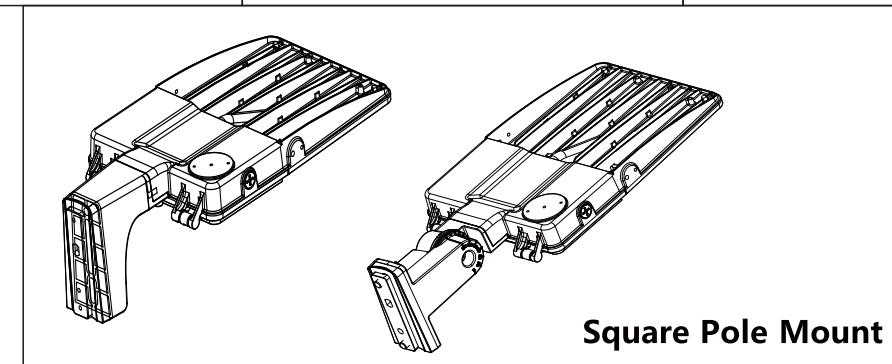
Bracket "F"



Slip Fitter

Trunnion

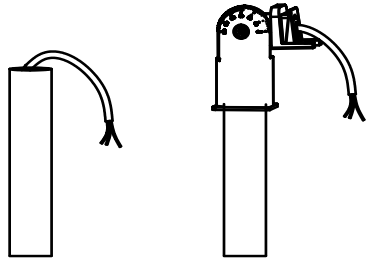
Wall Mount



Square Pole Mount

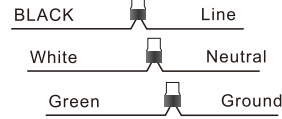
Slip Fitter

FIGURE 1



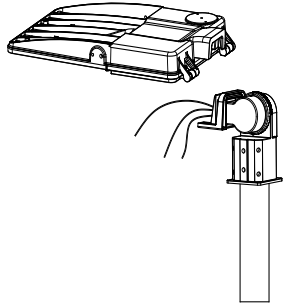
Pass the cable through the mounting and place the mounting on the pole

FIGURE 3



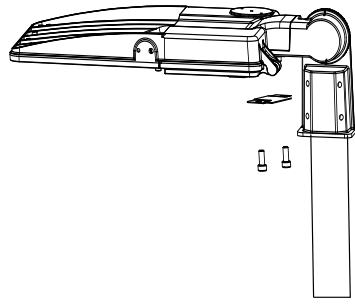
Wiring as the picture shows required

FIGURE 2



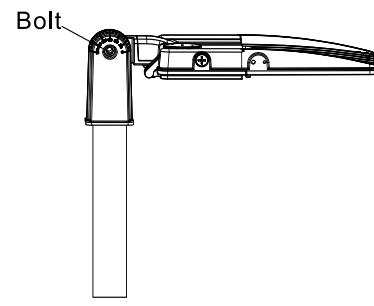
Hang the lamp body on the mounting

FIGURE 4



Install the cover and tighten the screws on the cover

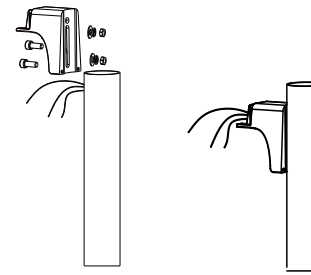
FIGURE 5



Adjust the screw bolt to set the required angle

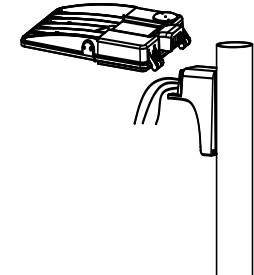
Square/Round Pole Mount

FIGURE 1



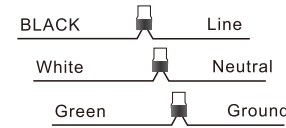
Pass the cable through the mounting and fix the mounting to the pole

FIGURE 2



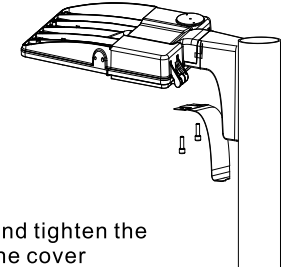
Hang the lamp body on the mounting

FIGURE 3



Wiring as the picture shows required

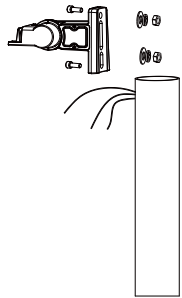
FIGURE 4



Install the cover and tighten the screws on the cover

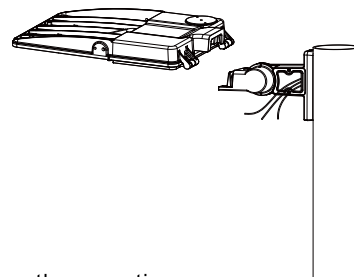
Square/Round Pole Mount

FIGURE 1



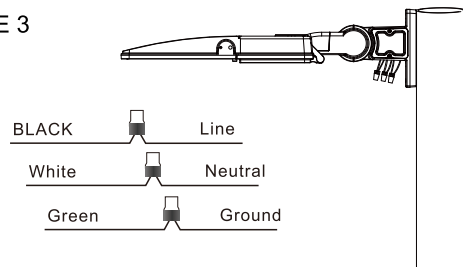
Pass the cable through the mounting and fix the mounting to the pole

FIGURE 2



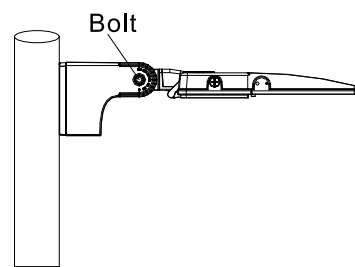
Hang the lamp body on the mounting

FIGURE 3



Wiring as the picture shows required

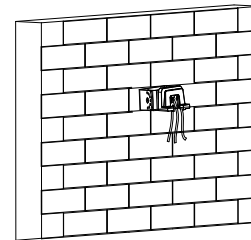
FIGURE 4



Adjust the screw bolt to set the required angle

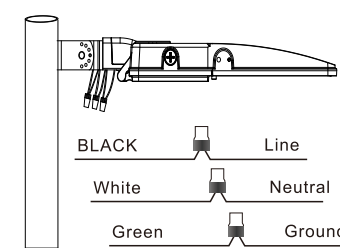
Trunnion

FIGURE 1



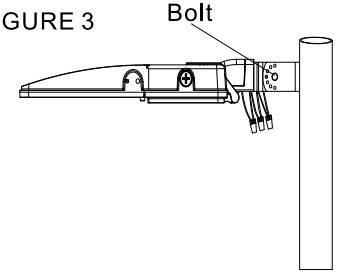
Pass the cable through the mounting and fix the mounting to the wall

FIGURE 2



Hang the lamp body on the mounting
Wiring as the picture shows required

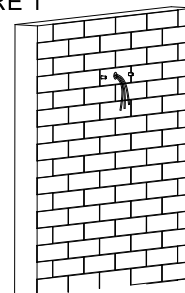
FIGURE 3



Install the cover and tighten the screws on the cover
Adjust the screw bolt to set the required angle

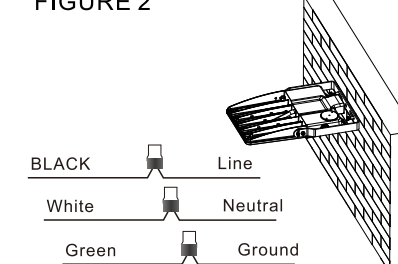
Wall Mount

FIGURE 1



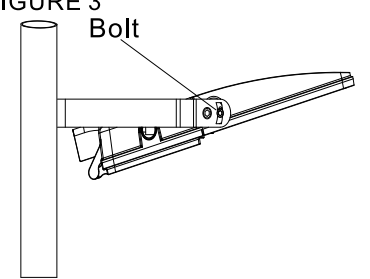
Punch mounting holes on the wall twist the screws and let the wires go out of the wall

FIGURE 2



Hang the lamp body on the mounting screws and tighten the screws
Wiring as the picture shows required

FIGURE 3



Adjust the screw bolt to set the required angle