



Project	
Notes	
Type	Date
Cat. No.	

**LOS™ Series** **LED Outdoor Square**

**DESCRIPTION**

The LOS Series is a family of LED Outdoor wall mounts. The LOS mounts to a wall, creating an inviting exterior space as well as providing safety and security. Made of sturdy die cast aluminum housing featuring a tempered glass lens. Ideal for use in hallways, garages, patios, and porches.

Down Only

Up & down



**LOS Series**  
 12W, (840 Lumens)  
 24W, (1,680 Lumens)



**Specification Features**

**Construction**

Rugged die cast aluminum housing withstands outdoor environments. Outer surface treated with durable power coating to provide resistant to corrosion, rust, weathering, and or degradation. Performance engineered internal heat dissipation fins provide superior thermal management for LED life and reliability. Clear Tempered glass lens.

**Qualifications**

All luminaires are built to UL 1598 and 2108 standards, and bear appropriate ETL labels. Wet location labeling is standard. Emergency equipped fixtures labeled UL924. Adheres to LM70, LM80, and TM21 industry standards. ENERGY STAR® certified product (for 3000K only). Dedicated 120V Models are FCC Title 47 CFR, Part 15, Class B for residential and commercial applications.

**Electrical**

Equipped standard with fixed output 120V driver operating at 60Hz. Long Life LED's, 60,000 hours at L80 with projected life over 100,000 hours for reduced life cycle maintenance costs. Two LED color (Kelvin) temperature options and > 80 CRI.

**Installation**

Designed for wall mounting on 4" electrical J-Box.

**Warranty**

3-year Limited Warranty. See warranty documentation for more information.

**Rated Life 60,000 hours**  
**Limited Warranty 3 years**  
**Efficacy Up to 70 LPW**

**Quick Ship**  
 LOS-D-12-120-830-BL  
 LOS-UD-24-120-830-BL

**Ordering Information**

Example: LOS-UD-24-120-830-ORB

LOS	UD	24	120	MCT	Finish	EML8
<b>Series</b> LOS LED Outdoor Square	<b>Distribution</b> D- Down Only <sup>2</sup> UD- Up & down <sup>2</sup>	<b>Rated Wattage</b> <u>Down Only</u> 12- 12W (840 Lumens) <sup>2</sup> <u>Up &amp;Down Only</u> 24- 24W (1,680 Lumens) <sup>2</sup>	<b>Driver Type</b> 120- 120V <sup>2</sup>	<b>Color Temp</b> MCT- 3000/4000/5000K ; 80+ CRI	<b>Finish</b> BL- Black	<b>Options</b> P- Photocell

Specifications and Dimensions subject to change without notice.

## Performance Summary

Input Voltage	120V
Input Frequency	50/60 Hz
Rated Wattage	See Performance Table
Delivered Lumens	See Performance Table >
Efficacy	70 LPW (typ.)
CRI	80+, R9 > 0
Available CCT <sup>1</sup>	3000K
Color Consistency <sup>2</sup>	5-step MacAdam Ellipse
Rated Life	60,000 hours
L70 <sup>3</sup>	> 72,000 hours or > 45,000
Power Factor	>0.99
THD	< 20%
Dimming	N/A
Operating Temp.	-18°C to 40°C

## Performance Data

Lens Type	Form Factor	Catalog No.	Rated Wattage (W)	Delivered Lumens	Efficacy (lm/W)
Frosted Acrylic	Down Only	<a href="#">LOS-U-12-120-MCT</a>	12	840	70
	Up & Down	<a href="#">LOS-UD-24-120-MCT</a>	24	1,680	70

### NOTES:

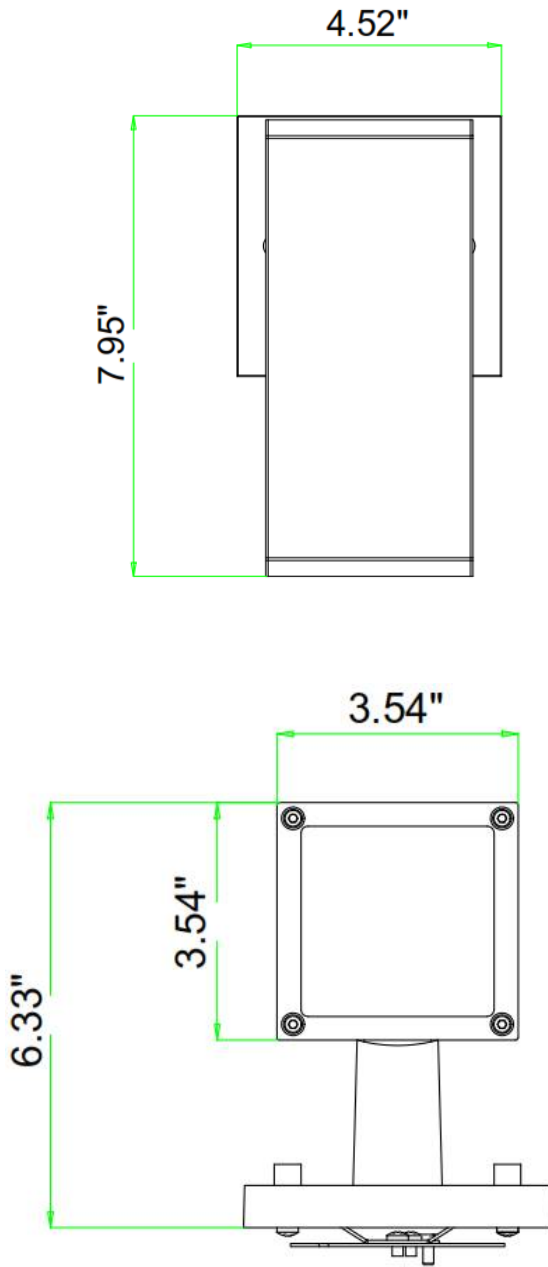
- <sup>1</sup> Made to order items. Minimum 90 day lead time. Minimum 500 order quantity.
- <sup>2</sup> Energy star listed
- <sup>3</sup> Quick ship: Made To Order Only
- <sup>4</sup> Typical color consistency. May vary or be changed.
- <sup>5</sup> L70 hours calculated based on LED package manufacturer LM80 report and ISTMT report of LED in luminaire. Stated values are for select catalog numbers. Contact manufacturer for detailed information
- <sup>6</sup> Actual performance may differ as a result of end-user environment and application. All values are design or typical values, measured under laboratory conditions at 25 °C.



Specifications and Dimensions subject to change without notice.

Product Dimensions

LOS-D



LOS-UD

