



Project	
Notes	
Type	Date
Cat. No.	



LAW Series
600 Lumens

Rated Life 60,000 hours
Limited Warranty 3 years
Efficacy Up to 66 LPW

Quick Ship



LAW™ Series

LED Architectural Wall Pack

DESCRIPTION

The LAW series wall pack combines high-performance LEDs, a weather resistant aluminum housing along with a frosted white glass diffuser for uniform illumination. Ideal for use in corridors and patios.

Specification Features

Construction

Rugged die cast aluminum housing withstands outdoor environments. Outer surface treated with durable power coating to provide resistant to corrosion, rust, weathering, and or degradation. Performance engineered internal heat dissipation provide superior thermal management for LED life and reliability.

Qualifications

All luminaires are built to UL 1598 and 2108 standards, and bear appropriate ETL labels. Wet location labeling is standard. Emergency equipped fixtures labeled UL924. Adheres to LM70, LM80, and TM21 industry standards. ENERGY STAR® certified product (for 3000K and 4000K only) and Title 24 qualified. Dedicated 120V Models are FCC Title 47 CFR, Part 15, Class B for residential and commercial applications. California Title 24 Compliant, JA8 compliant.

Electrical

Equipped standard with 120V fixed output driver operating at 60HZ.

Installation

Designed for mounting on 4" electrical J-Box.

Warranty

3-year Limited Warranty. See warranty documentation for more information.

Ordering Information

Example: LAW-9-120-840-BL

LAW	9	120	840	BL
Series LAW LED Architectural Wall Pack	Rated Wattage 9- 9W, 600 Lumens	Driver Type 120- 120V	Color Temp 840- 4000 Kelvin ¹ (80+ CRI)	Color BL-Black

Specifications and Dimensions subject to change without notice.

Performance Summary

Input Voltage	120V
Input Frequency	50/60 Hz
Rated Wattage	See Performance Table
Delivered Lumens	See Performance Table
Efficacy	> 66.6 LPW (typ.)
CRI	80+, R9 > 0
Available CCT ¹	4000K
Color Consistency ²	5-step MacAdam Ellipse
Rated Life	60,000 hours
L70 ³	> 72,000 hours or > 45,000
Power Factor	> 0.9
THD	< 20%
Dimming	N/A
Operating Temp.	-18°C to 40°C

Performance Data

Lens Type	Form Factor	Catalog No.	Rated Wattage (W)	Delivered Lumens	Efficacy (lm/W)
Acrylic		LAW-9-120	9	600	66.6

NOTES:

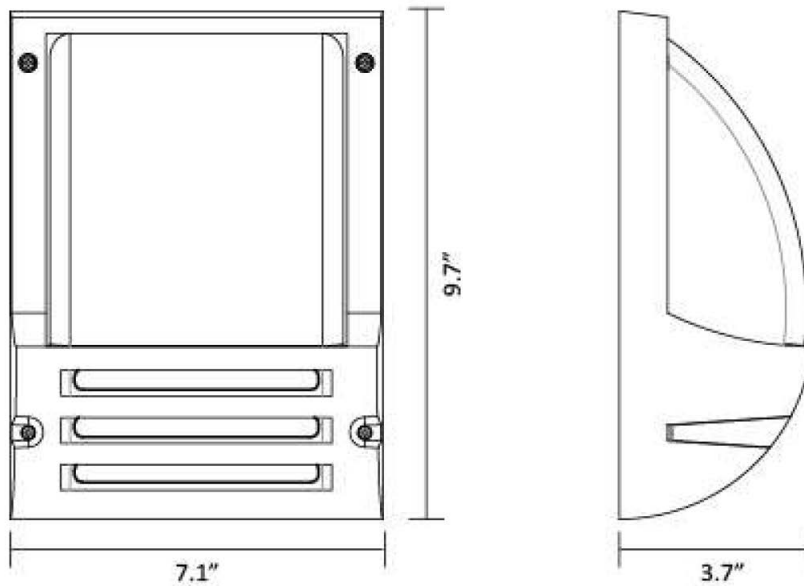
- ¹ Made to order items. Minimum 90 day lead time. Minimum 500 order quantity.
- ² Energy star listed
- ³ Quick ship: 5000K. Other CCTs may require a lead time or be special order
- ⁴ Typical color consistency. May vary or be changed.
- ⁵ L70 hours calculated based on LED package manufacturer LM80 report and ISTMT report of LED in luminaire. Stated values are for select catalog numbers. Contact manufacturer for detailed information



Specifications and Dimensions subject to change without notice.

Product Dimensions

LAW-9-120



Photometric Data

Coming Soon

[Polar Candela Curve](#)[Zonal Lumen Summary](#)[Coefficients of Utilization](#)[Effective Floor Cavity Reflectance: 20%](#)

© 2022 GlobalLux Lighting, LLC. All rights reserved. For informational purposes only. Reproduction in whole or part is prohibited without prior written consent of the copyright owner. The information presented in this document does not form part of any quotation or contract, is believed to be accurate and reliable and may be changed without notice. No liability will be accepted by the publisher for any consequences of its use. GlobalLux Lighting reserves the rights make changes in specification at any time without notice.

GlobalLux Lighting LLC
www.globaluxlighting.com
773 S. Benson Ave
Ontario, CA 91762
Ph: 909-591-7506