



Project	
Notes	
Type	Date
Cat. No.	

DOA™ Series

Decorative Outdoor Coach Lantern



DOA Series
9W, 560 Lumens

Rated Life 50,000 hours
Limited Warranty 3 years
Efficacy Up to 70 LPW
Continuous N/A

Quick Ship
Made to order only



DESCRIPTION

Updated with the latest in LED technology. The DOA Series is a Traditional style, exterior coach lantern which features a milk white acrylic lens, available in powder coated black or white finish. The DOA mounts flush to a wall creates a warm, inviting exterior space as well as providing safety and security. Made of sturdy, die cast aluminum housing. Ideal for use in hallways, garages, and driveways.

Specification Features

Construction

Rugged die cast aluminum housing withstands outdoor environments. Outer surface treated with durable power coating to provide resistant to corrosion, rust, weathering, and or degradation. Performance engineered internal heat dissipation fins provide superior thermal management for lens life and reliability.

Qualifications

All luminaires are built to UL 1598 and 2108 standards, and bear appropriate ETL labels. Damp location labeling is standard. Emergency equipped fixtures labeled UL924. Adheres to LM70, LM80, and TM21 industry standards.

Warranty

3-year Limited Warranty. See warranty documentation for more information.

Electrical

120V Driver operates at 60Hz

Installation

Designed for mounting on 4" electrical J-Box.

Ordering Information

Example:DOA-9-120-840-BL

DOA	9	120	8	30	BL
Series DOA Decorative Outdoor Coach Lantern	Rated Wattage 9- 9W, 560 Lumens ¹	Driver Type 120-120V ¹	CRI 8 80+ CRI	Color temp 30 3000 K ¹ 40 4000 K ¹	Finish BL-Black ¹

Specifications and Dimensions subject to change without notice.

Performance Summary

Input Voltage	120V
Input Frequency	50/60 Hz
Rated Wattage	See Performance Table
Delivered Lumens	See Performance Table
Efficacy	> 89 LPW (typ.)
CRI	83+, R9 > 0
Available CCT ¹	3000K,5000K
Color Consistency ²	5-step MacAdam Ellipse
Rated Life	50,000 hours
L70 ³	> 72,000 hours or > 45,000
Power Factor	> 0.9
THD	< 20%
Dimming	N/A
Operating Temp.	-18°C to 40°C

Performance Data

Lens Type	Form Factor	Catalog No.	Rated Wattage (W)	Delivered Lumens	Efficacy (lm/W)
Glass Lens	2'	DOA-9	9	560	70

NOTES:

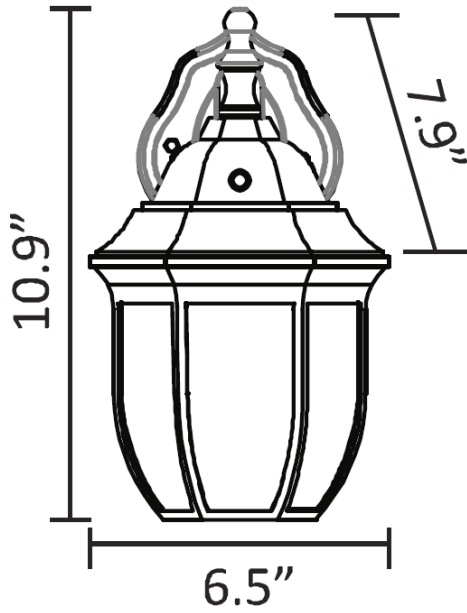
- ¹ Quick ship: Made To Order Only
- ² Typical color consistency. May vary or be changed.
- ³ L70 hours calculated based on LED package manufacturer LM80 report and ISTMT report of LED in luminaire. Stated values are for select catalog numbers. Contact manufacturer for detailed information



Specifications and Dimensions subject to change without notice.

Product Dimensions

DOA-9



© 2019 GlobaLux Lighting, LLC. All rights reserved. For informational purposes only. Reproduction in whole or part is prohibited without prior written consent of the copyright owner. The information presented in this document does not form part of any quotation or contract, is believed to be accurate and reliable and may be changed without notice. No liability will be accepted by the publisher for any consequences of its use. GlobaLux Lighting reserves the rights make changes in specification at any time without notice.

GlobaLux Lighting LLC
www.globaluxlighting.com
2037 S. Vineyard Ave
Ontario, CA 91761
Ph: 909-591-7506