



Project	
Notes	
Type	Date
Cat. No.	

ZDL™ Series

4" Multi Trim Surface Downlight



DESCRIPTION

The ZDL series provides customers with a high quality luminaire utilizing the latest LED, solid state lighting and electronic driver technology for optimal performance and maximized energy efficiency. With a traditional opal white lens, the ZDL series produces even and uniform light distribution and ideal choice for offices, corridors, stairways, bedroom, closet, and foyers applications where customers are replacing incandescent, circline or compact fluorescent lamps. The LED Based ZDL series is a ceiling or wall mount series which can be used in a broad range of residential and commercial applications.

ZDL Series
4" Housing
 8W (611 Lumens)

Specification Features



Construction

Aluminum spun reflection with diffusion lens for optimal visual comfort while providing uniform light output. Lens design and materials provide uniform appearance without pixelation.

Qualifications

All luminaires are built to UL 1598 and 2108 standards, and bear appropriate ETL labels. Wet location labeling is standard. Adheres to LM70, LM80, and TM21 industry standards. ENERGY STAR® certified product (for 3000K and 4000K only) and Title 24 qualified. Dedicated 120V Models are FCC Title 47 CFR, Part 15, Class B for residential and commercial applications. California Title 24 Compliant, JA8 Compliant, CEC Listed, State of California Energy Commission.

Warranty

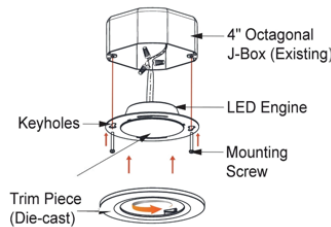
3-year Limited Warranty. See warranty documentation for more information.

Electrical

Equipped standard with 120V 10-100% dimming on-board driver.

Installation

4" models are designed for mounting on standard octagonal junction box.



Rated Life 50,000 hours
 Limited Warranty 3 years
 Efficacy Up to 76 LPW
 Triac Dimming



Quick Ship
 ZDL-4-8-120D-MCT-WH
 Trim-ZDL-BL
 Trim-ZDL-BN
 Trim-ZDL-BR

Coming Soon!

Ordering Information

Example: ZDL-4-8-120D-MCT-WH

ZDL	4	8	120D	MCT	WH	
Series ZDL 4" Multi Trim Surface Downlight	Size 4-4"	Rated Wattage 4" Housing 8- 8W (611 Lumens)	Driver Type 120D-120V Dimming, Dims to 10% Triac Dimming	Color Temp Adjustable Switch MCT- 2700/3000/ 3500/4000/ 5000K; 90+ CRI	Finish WH- White	
Options: Order as Separate Line Item						
Trims Trim-ZDL-BL- Black Trim Trim-ZDL-BN - Brushed Nickel Trim-ZDL-BR - Bronze			Emergency Battery Backup EML-JB-AC- 8W New Construction Battery Backup; must be installed at rough-in			

Specifications and Dimensions subject to change without notice.

Performance Summary

Input Voltage	120V
Input Frequency	50/60 Hz
Rated Wattage	See Performance Table
Delivered Lumens	See Performance Table
Efficacy	76 LPW
CRI	80+ CRI
Available CCT ¹	2700/3000/3500/4000/5000K
Color Consistency ²	5-step MacAdam Ellipse
Rated Life	50,000 hours
L70 ³	> 72,000 hours or > 45,000
Power Factor	>0.99
THD	< 20%
Dimming	120V Dimming(10-100%) Triac
Operating Temp.	-18°C to 40°C

CCT Adjustable Switch



Performance Data

Lens Type	Form Factor	Catalog No.	Rated Wattage (W)	Delivered Lumens	Efficacy (lm/W)
Acrylic	4"	ZDL-4-8-120D-MCT-WH	8W	611	76

Easy Installation Trims

TRIM COLORS:



NOTES:

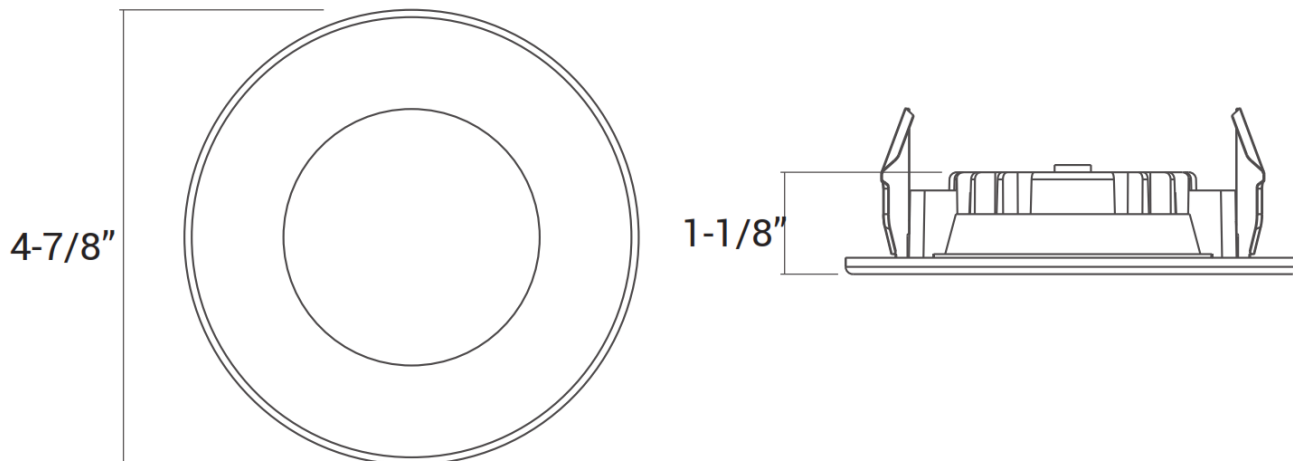
- ¹ Made to order items. Minimum 90 day lead time. Minimum 500 order quantity.
- ² Energy star listed
- ³ Quick ship: 3000K and 4000K. Other CCTs may require a lead or special order
- ⁴ Typical color consistency. May vary or be changed.
- ⁵ L70 hours calculated based on LED package manufacturer LM80 report and ISTMT report of LED in luminaire. Stated values are for select catalog numbers. Contact manufacturer for detailed information
- ⁶ Actual performance may differ as a result of end-user environment and application. All values are design or typical values, measured under laboratory conditions at 25 °C.



Specifications and Dimensions subject to change without notice.

Product Dimensions

ZDL-4



© 2019 GlobaLux Lighting, LLC. All rights reserved. For informational purposes only. Reproduction in whole or part is prohibited without prior written consent of the copyright owner. The information presented in this document does not form part of any quotation or contract, is believed to be accurate and reliable and may be changed without notice. No liability will be accepted by the publisher for any consequences of its use. GlobaLux Lighting reserves the rights make changes in specification at any time without notice.

GlobaLux Lighting LLC
www.globaluxlighting.com
773 S. Benson Ave
Ontario, CA 91761
Ph: 909-591-7506