



Project	
Notes	
Type	Date
Cat. No.	

**TRK2™ Series**

**Track Light Fixture**



**TRK2 Series**

Rated Life 50,000 hours  
 Limited Warranty 3 years  
 Efficacy up to 77 LPW  
 Dimming Continuous

**Quick Ship**

TRK2-6-GU10-120D-830-BN

**DESCRIPTION**

The TRK2 Series Family of track light fixtures are offered in attractive brushed nickel or black finish options. The TRK2 Track lights are designed for superior directional lighting distribution without taking away from the interior design of any living space. Gimbal heads provides superior lighting for living spaces such as living rooms, bedrooms and more. Adjustable light heads will offer you more flexibility and will allow you to point the light in areas where you need it the most. This indoor light is rated for use in damp locations. Strategically designed using premium quality materials, this light provides a durable and long-lasting functionality to give your home the perfect illumination.

**Specification Features**



**Construction**

Die Cast Aluminum Heads on a curved aluminum frame. Each of the track heads is mounted on a swivel to allow them to be moved and adjusted for customized, directional lighting.

**Qualifications**

All luminaires are built to UL 1598 and 2108 standards, and bear appropriate ETL labels. Damp location labeling is standard. Emergency equipped fixtures labeled UL924. Adheres to LM70, LM80, and TM21 industry standards. **Integrated LED Models are ENERGY STAR® certified.** Dedicated 120V Models are FCC Title 47 CFR, Part 15, Class B for residential and commercial applications.

**Warranty**

3-year limited warranty. See complete warranty for terms and exclusions. (Labor not included).

**Electrical**

LED Models Equipped standard with 120V fixed output driver operating at 60 Hz.

**Installation**

Designed for ceiling mounting on 4" electrical J-Box.

**Ordering Information**

Example: TRK2-6-GU10-120D-830-BN

TRK2	4	18	120	CRI	30	NS
<b>Series</b>	<b>Form Factor</b>	<b>Rated Wattage</b>	<b>Driver Type</b>	<b>CRI</b>	<b>Color Temp</b>	<b>Finish</b>
TRK2 Track Light Fixture	4- 4 Light, 34" Length 6- 6 Light, 44" Length	<b>4 Light Housing</b> GU10- (6) 50W GU10 Halogen Lamps 26- 26W Integrated LED 2,000 Lumens  <b>6 Light Housing</b> GU10- (6) 50W GU10 Halogen Lamps 39- 39W Integrated LED, 3,000 Lumens	120- 120V <sup>1</sup>  Dims to 10% Triac Dimming	8 80+CRI	30 3000K <sup>3</sup>	<b>BL-</b> Black  <b>BN-</b> Brushed Nickel

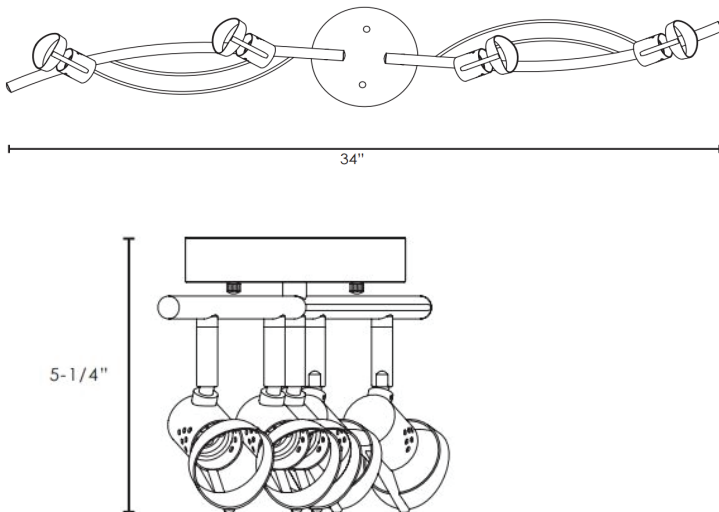
Specifications and Dimensions subject to change without notice

Performance Summary

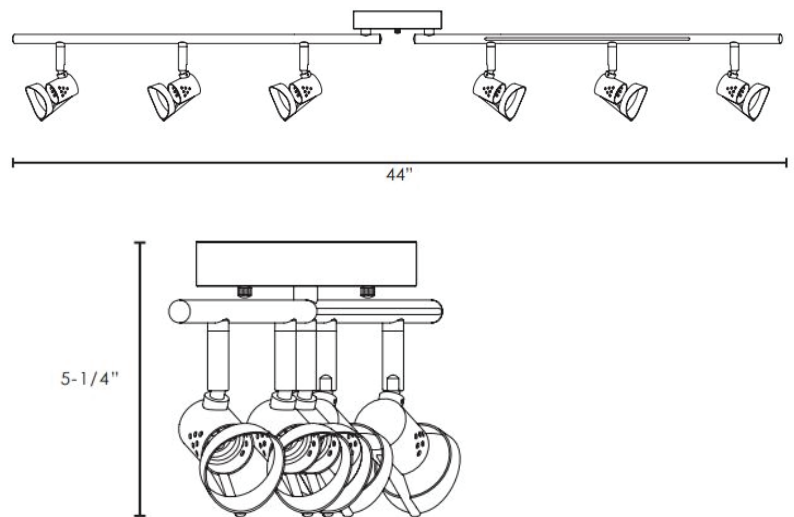
Input Voltage	120V
Input Frequency	50/60 Hz
Rated Wattage	See Performance Table
Delivered Lumens	See Performance Table
Efficacy	Up to 77 LPW
CRI	80+, R9 > 0
Available CCT <sup>1</sup>	3000K, 4000K
Color Consistency <sup>2</sup>	5-step MacAdam Ellipse
Rated Life	50,000
L70 <sup>3</sup>	> 72,000 hours or > 45,000 >
Power Factor	0.9
THD	< 20%
Dimming	120V Triac Dimming (15-100%)
Operating Temp.	-18°C to 40°C

Product Dimensions

TRK2-4



TRK2-6



NOTES:

- <sup>1</sup> Made to order items. Minimum 90 day lead time. Minimum 500 order quantity.
- <sup>2</sup> Energy star listed
- <sup>3</sup> Quick ship: 3000K. Other CCTs may require a lead time or be special order
- <sup>4</sup> Typical color consistency. May vary or be changed.
- <sup>5</sup> L70 hours calculated based on LED package manufacturer LM80 report and ISTMT report of LED in luminaire. Stated values are for select catalog numbers. Contact manufacturer for detailed information

Specifications and Dimensions subject to change without notice

