



Project	
Notes	
Type	Date
Cat. No.	

RPG™ Series **Round Parking Garage Canopy**



DESCRIPTION

The RPG family of LED canopy fixtures combine high-performance LEDs, highly-engineered optics to traditional designs to bring you the most advanced line of canopy fixtures on the market. The long LED life coupled with exceptional color rendering make this fixture attractive for new or retrofit projects.

Specification Features



- RPG Series**
- 25W (3,250 Lumens)
 - 55W (7,150 Lumens)
 - 75W (9,750 Lumens)

Construction

Rugged vandal proof aluminum housing withstands outdoor environments. Outer surface treated with durable power coating to provide resistant to corrosion, rust, weathering, and or degradation. Performance engineered internal heat dissipation fins provide superior thermal management for lens life and reliability.

Electrical

Equipped with 120-277V, 0-10V dimming driver and long-Life LED's 60,000 hours at L80 with projected life over 100,000 hours for reduced life cycle maintenance costs. CCT adjustable at 3000K, 4000K and 5000K.

Rated Life 60,000 hours
Limited Warranty 5 Years
Efficacy 114 lm/W

Qualifications

All luminaires are built to UL 1598 and 2108 standards, and bear appropriate UL labels. Wet location labeling is standard. Emergency equipped fixtures labeled UL924. Adheres to LM70, LM80, and TM21 industry standards. DesignLights Consortium® (DLC) DLC qualified product. Not all product variations in this list are DLC qualified. Please check the DLC Qualified Products List at www.designlights.org/QPL to confirm which models are qualified.

Installation

Luminaire mounting designed for standard J-Box. Features multiple conduit entries.

DIMMING
0-10V Continuous

Quick Ship/ DLC Listed

Warranty

5-year limited warranty. See complete warranty for terms and exclusions. (Labor not included).

- RPG-25-MVD-830/40/50-BR
- RPG-55-MVD-830/40/50-BR

Options

Optional On/Off or Bi-level Motion sensor, high voltage transformers, emergency battery backups.

Ordering Information

Example: RPG-55-MVD-830/40/50

RPG	55	MVD	8	30/40/50	WH
Series	Rated Wattage	Driver Type	CRI	Color Temp	Finish
RPG- Round Parking Garage Canopy	25- 25W (3,250 Lumens) ² 55- 55W (7,150 Lumens) ² 75- 75W (9,750 Lumens) ¹	MVD-120-277V; 0-10V Dimming	8 80+ CRI ²	30/40/50- 3000/4000/5000K	WH- White BR- Bronze
Options					
Emergency Backup			Controls		
EML15-RPG 15W remote mounted battery			MOSB-RM- Bi-Level Microwave ⁵ MOSB-FM- Bi-Level Microwave Sensor OSBL- Bi-Level PIR Sensor		

Specifications and Dimensions subject to change without notice.

Performance Summary

Input Voltage	120-277V
Input Frequency	50/60 Hz
Rated Wattage	See Performance Table
Delivered Lumens	7,150
Efficacy	130 LPW
CRI	80+, R9 > 0
Available CCT ¹	5000K
Color Consistency ²	5-step MacAdam Ellipse
Rated Life	60,000 hours
L70 ³	> 72,000 hours or > 45,000
Power Factor	>0.99
THD	< 2.3%
Dimming	0-10V Dimming
Operating Temp.	-18°C to 40°C

Performance Data

Lens Type	Form Factor	Catalog No.	Rated Wattage (W)	Delivered Lumens	Efficacy (lm/W)
Frosted Acrylic		RPG-25-MVD-830/40/50	25W	3,250	130
		RPG-55-MVD-830/40/50	55W	7,150	130
		RPG-75-MVD-830/40/50	75W	9,750	130

NOTES:

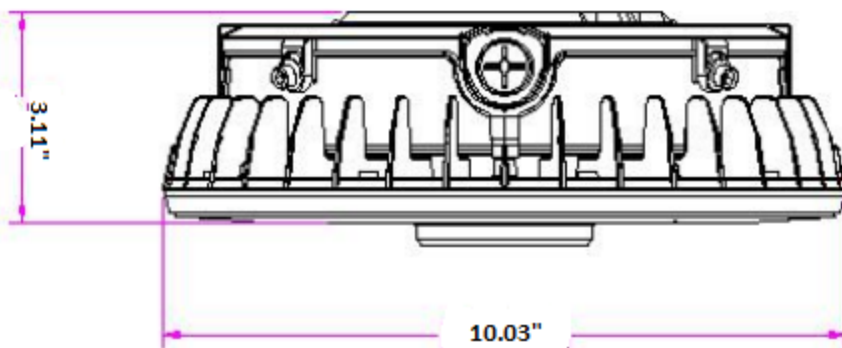
- ¹ Made to order items. Minimum 90 day lead time. Minimum 500 order quantity.
- ² DLC Listed
- ³ L70 hours calculated based on LED package manufacturer LM80 report and ISTMT report of LED in luminaire. Stated values are for select catalog numbers. Contact Globalux for detailed information.
- ⁴ Actual performance may differ as a result of end-user environment and application. All values are design or typical values, measured under laboratory conditions at 40°C.
- ⁵ MOSB-RM option is only available with fixtures not utilizing EML8



Specifications and Dimensions subject to change without notice.

Product Dimensions

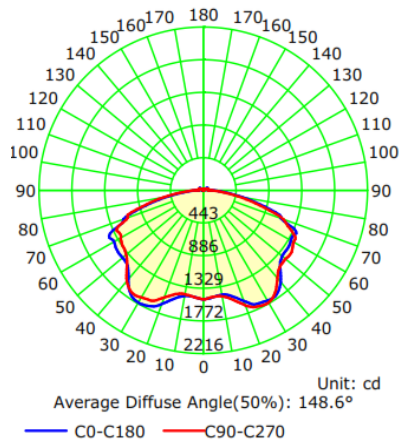
RPG



Photometric Data

RPG-55-MV-830/40/50 Tested In accordance to IESNA LM-79

Polar Candela Curve



Zonal Lumen Summary

ZONE	LUMENS	% LAMP LUMENS
FORWARD LIGHT	3657	48.5
FL (0°-30°)	688	9.1
FM (30°-60°)	1742	23.1
FH (60°-80°)	1082	14.3
FVH (80°-90°)	144	1.9
BACK LIGHT	3613	47.9
BL (0°-30°)	668	8.9
BM (30°-60°)	1708	22.6
BH (60°-80°)	1082	14.3
BVH (80°-90°)	155	2.1
UP LIGHT	276	3.7
UL (90°-100°)	80	1.1
UH (100°-180°)	196	2.6

Coefficient of Utilization

Reflectance: Ceiling (cavity)	0.7	0.7	0.5	0.5	0.3	0.7	0.7	0.5	0.5	0.3
Wall	0.5	0.3	0.5	0.3	0.3	0.5	0.3	0.5	0.3	0.3
Reference plane	0.2	0.2	0.2	0.2	0.2	0.2	0.2	0.2	0.2	0.2
Room dimensions	Viewed crosswise					Viewed endwise				
X=2H Y=2H	-1.5	-1.5	-1.5	-1.5	-1.5	-1.5	-1.5	-1.5	-1.5	-1.5
3H	-1.5	-1.5	-1.5	-1.5	-1.5	-1.5	-1.5	-1.5	-1.5	-1.5
4H	-1.5	-1.5	-1.5	-1.5	-1.5	-1.5	-1.5	-1.5	-1.5	-1.5
6H	-1.5	-1.5	-1.5	-1.5	-1.5	-1.5	-1.5	-1.5	-1.5	-1.5
8H	-1.5	-1.5	-1.5	-1.5	-1.5	-1.5	-1.5	-1.5	-1.5	-1.5
12H	-1.5	-1.5	-1.5	-1.5	-1.5	-1.5	-1.5	-1.5	-1.5	-1.5
X=4H Y=2H	-1.5	-1.5	-1.5	-1.5	-1.5	-1.5	-1.5	-1.5	-1.5	-1.5
3H	-1.5	-1.5	-1.5	-1.5	-1.5	-1.5	-1.5	-1.5	-1.5	-1.5
4H	-1.5	-1.5	-1.5	-1.5	-1.5	-1.5	-1.5	-1.5	-1.5	-1.5
6H	-1.5	-1.5	-1.5	-1.5	-1.5	-1.5	-1.5	-1.5	-1.5	-1.5
8H	-1.5	-1.5	-1.5	-1.5	-1.5	-1.5	-1.5	-1.5	-1.5	-1.5
12H	-1.5	-1.5	-1.5	-1.5	-1.5	-1.5	-1.5	-1.5	-1.5	-1.5
X=8H Y=4H	-1.5	-1.5	-1.5	-1.5	-1.5	-1.5	-1.5	-1.5	-1.5	-1.5
6H	-1.5	-1.5	-1.5	-1.5	-1.5	-1.5	-1.5	-1.5	-1.5	-1.5
8H	-1.5	-1.5	-1.5	-1.5	-1.5	-1.5	-1.5	-1.5	-1.5	-1.5
12H	-1.5	-1.5	-1.5	-1.5	-1.5	-1.5	-1.5	-1.5	-1.5	-1.5
X=12H Y=4H	-1.5	-1.5	-1.5	-1.5	-1.5	-1.5	-1.5	-1.5	-1.5	-1.5
6H	-1.5	-1.5	-1.5	-1.5	-1.5	-1.5	-1.5	-1.5	-1.5	-1.5
8H	-1.5	-1.5	-1.5	-1.5	-1.5	-1.5	-1.5	-1.5	-1.5	-1.5

Specifications and Dimensions subject to change without notice.