

## Setting:

By selecting the combination on the DIP switch, sensor data can be precisely set for each specific application.

ON ↑ [Switch]		1	2	
	I	ON	ON	100%
	II	ON	-	75%
	III	-	ON	50%
	IV	-	-	25%

### Detection area

Detection area can be reduced by selecting the combination on the DIP switches to fit precisely each application.

Factory setting: I

ON ↑ [Switch]		3	4	5	
	I	ON	ON	ON	5S
	II	-	ON	ON	30S
	III	ON	-	ON	90S
	IV	-	-	ON	3min
	V	ON	ON	-	20min
	VI	-	-	-	+∞

### Hold time

Refers to the time period the lamp remains at 100% illumination after no motion detected.

Factory setting: VI

ON ↑ [Switch]		6	7	8	
	I	ON	ON	ON	0S
	II	-	ON	ON	5S
	III	ON	-	ON	5min
	IV	-	-	ON	10min
	V	ON	ON	-	30min
	VI	-	ON	-	1h
	VII	-	-	-	+∞

### Stand-by period

Refers to the time period the lamp remains at a low light level before it completely switches off in the long absence of people. When set to Disable mode, the low light is maintained until motion is detected.

Factory setting: I

ON ↑ [Switch]		1	2	
	I	ON	ON	50%
	II	-	ON	30%
	III	ON	-	20%
	IV	-	-	10%

### Stand-by dimming level

The low light level you would like to have after the hold time in the long absence of people.

Factory setting: I

ON ↑ [Switch]		3	4	5	6	
	I	ON	ON	ON	ON	5Lux
	II	-	ON	ON	ON	15Lux
	III	ON	-	ON	ON	30Lux
	IV	-	-	ON	ON	50Lux
	V	ON	ON	-	ON	100Lux
	VI	ON	ON	ON	-	150Lux
	VII	-	-	-	-	Disable

### Daylight sensor

The sensor can be set to only allow the lamp to illuminate below a defined ambient brightness threshold.

When set to Disable mode, the daylight sensor will switch on the lamp when motion is detected regardless of ambient light level.

100lux, 100lux, 50lux: twilight operation, 10lux, 5lux: darkness operation only.

Note that daylight sensor is active only when lamp totally switches off.

Factory setting: VII

## Warning / Avertissement

### MIN 75°C SUPPLY CONDUCTOR

**THIS PRODUCT MUST BE INSTALLED IN ACCORDANCE WITH THE APPLICABLE INSTALLATION CODE BY A PERSON FAMILIAR WITH THE CONSTRUCTION AND OPERATION OF THE PRODUCT AND THE HAZARDS INVOLVED.**

### LES FILS D'ALIMENTATION 75°C MIN

**CE PRODUIT DOIT ÊTRE INSTALLÉ SELON LE CODE D'INSTALLATION PERTINENT, PAR UNE PERSONNE QUI CONNAÎT BIEN LE PRODUIT ET SON FONCTIONNEMENT AINSI QUE LES RISQUES INHÉRENTS.**

## Round Parking Garage Canopy Installation Instructions

### Cautions:

1. Can not use the electric generator to test the LED lamp.
2. Please abide by related country, regional and local law and regulations when install this fixture.
3. Please turn off the power before installation or maintenance.
4. Proper earth grounding is required to ensure safety.

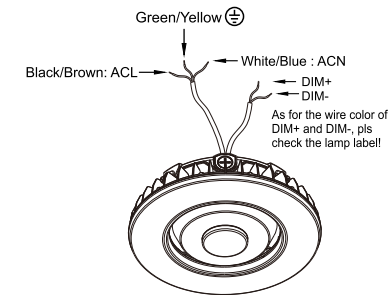
### Notice:

1. To avoid possibility of electrical shock or fire, the installation personnel must have professional electric knowledge.
2. Please wear gloves to avoid injury before installation.
3. If any smoke or spark of the wire happened, please turn off the power immediately and notify relevant personnel.

### Attention:

1. Please check if there is any damage during shipping. If so, please contact manufacturer timely.
2. Please read the installation instruction carefully to check whether all the accessories are complete. After confirmation, then install the fixture according to installation steps.

### Wiring Diagram:



### Installation Method I :

1. Disassemble the driver box cover; Figure 1-1
2. Loosen the 3/4 plug on the driver box cover by screwdriver; Figure 1-2
3. Fix the driver box cover on the 3/4 tube; Figure 1-3
4. Cling the safety rope in the driver box to the hook inside the driver box; Figure 1-4
5. Connect the input line and ground; If the fixture is equipped with sensor, adjust the sensor settings. Take relevant waterproof measures after the wires are connected ;Figure 1-5
6. Align the drive box cover with the metal shrapnel inside the drive box and press upward to fasten it together. Figure 1-6
7. Lock the four screws, the product is installed. Figure 1-7

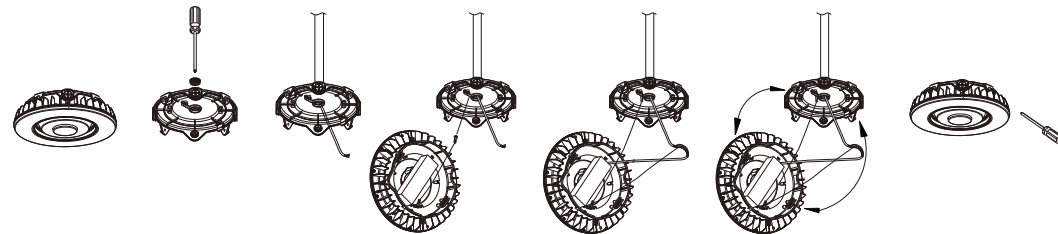


Figure 1-1

Figure 1-2

Figure 1-3

Figure 1-4

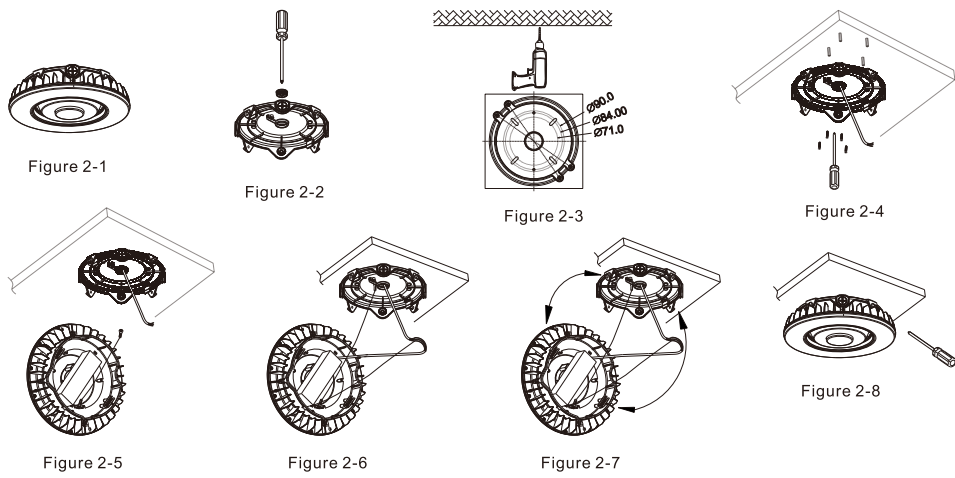
Figure 1-5

Figure 1-6

Figure 1-7

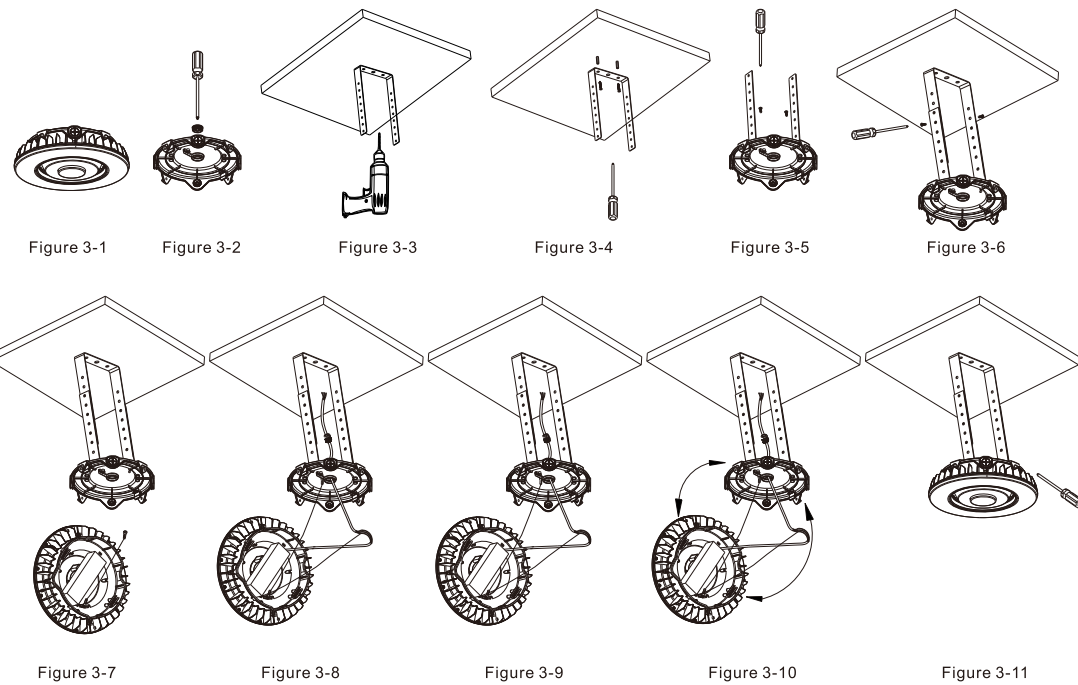
### Installation Method II :

1. Disassemble the driver box cover; Figure 2-1
2. Loosen the 3/4 plug on the driver box cover by screwdriver; Figure 2-2
3. Drill the holes on the ceiling accordingly to fit the plate; Figure 2-3
4. Fix the driver box cover on the ceiling; Figure 2-4
5. Cling the safety rope in the driver box to the hook inside the driver box; Figure 2-5
6. Connect the input line and ground; If the fixture is equipped with sensor, adjust the sensor settings; Take relevant waterproof measures after the wires are connected ;Figure 2-6
7. Align the drive box cover with the metal shrapnel inside the drive box and press upward to fasten it together. Figure 2-7
8. Lock the four screws, the product is installed. Figure 2-8



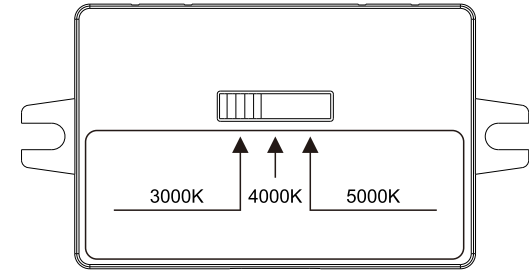
**Installation Method III :**

1. Disassemble the driver box cover; Figure 3-1
2. Loosen the 3/4 plug on the driver box cover by screwdriver; Figure 3-2
3. Drill holes on the ceiling; Figure 3-3
4. Fix the upper bracket on the ceiling; Figure 3-4
5. Fix the lower bracket on the driver box cover; Figure 3-5
6. Align with the holes of upper and lower bracket; tighten with screws; Figure 3-6
7. Cling the safety rope in the driver box to the hook inside the driver box; Figure 3-7
8. Use M20 waterproof connector when connecting AC wire or dimming wire, take relevant waterproof measures at both sides of inlet. Figure 3-8
9. Connect the input line and ground; If the fixture is equipped with sensor, adjust the sensor settings; Take relevant waterproof measures after the wires are connected ;Figure 3-9
10. Align the drive box cover with the metal shrapnel inside the drive box and press upward to fasten it together. Figure 3-10
11. Lock the four screws, the product is installed. Figure 3-11



**Adjust the color temperature through the switch:**

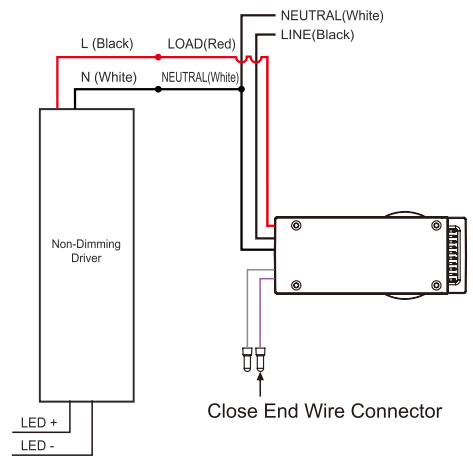
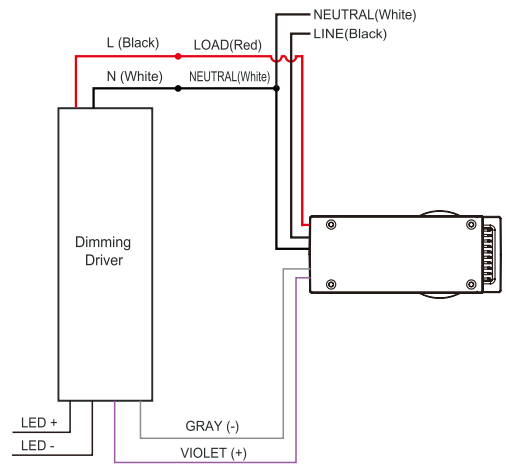
Move the switch left and right to get the desired color temperature.



**PARAMETER SETTING BY REMOTE CONTROL IN MANUAL OF RC-100 Wiring Diagrams**

BRI823-B-D wiring with dimming ballast or LED driver.  
Dimming Driver

BRI823-B-D wiring with non-dimming ballast or LED driver.  
Non-Dimming Driver



**Structure of motion sensor**

