

GI baLUX

CCT Adjusties

High Performance Design Can Customize To Your Environment

Battery Backup

Battery backup available for emergency egress applications.

High Efficacy LEDs

Performance ranges up to 100 LPW. Long-life 60,000 hour LED's at L80 with projected life over 100,000 hour at L70 hours for reliable performance and minimal maintenance.

Lens

High impact Frosted polycarbonate Lens provides uniform appearance without LED pixelation.

Latches

Multiple stainless steel latches.

CCT Switch

CCT Switch technology can accommodate multiple color temperatures, from the warmest to the coolest tones of white. LVTS color temperature can be adjusted to either 3000K, 4000K, or 5000K.

Housing

UV stabilized injection molded, impact resistant, polycarbonate housing.

Hassle-Free Mounting

Quick mounting clips included. Suitable for suspension or surface mounting.

COLOR TEMPERATURE ADJUSTMENT SETTING

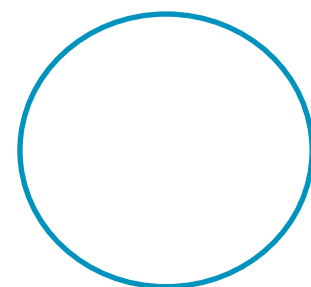
3000K 4000K 5000K



3000K 4000K 5000K

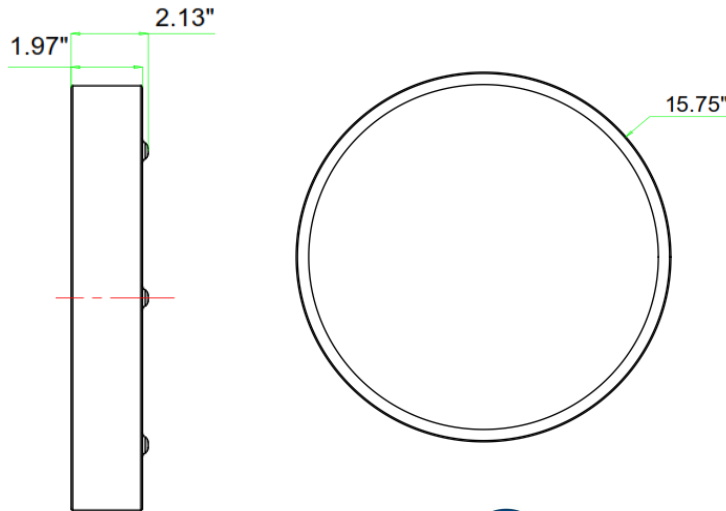


3000K 4000K 5000K



Ordering Information

Dimensions



RDXL Series

15" Housing
26W, (1,820 Lumens)

Specification Features



Rated Life 50,000 hours
Limited Warranty 3 years
Efficacy Up to 70 LPW
Continuous Dimming

Construction

Injection molded trim with diffusion lens for optimal visual comfort while providing exceptional light output. Edge Lit technology and Lens design and materials provide uniform appearance without pixelation.

Qualifications

All luminaires are built to UL 1598 and 2108 standards, and bear appropriate ETL labels. Wet location labeling is standard. Emergency equipped fixtures labeled UL924. Adheres to LM70, LM80, and TM21 industry standards. ENERGY STAR® certified product (for 3000K and 4000K only) and Title 24 qualified. Dedicated 120V Models are FCC Title 47 CFR, Part 15, Class B for residential and commercial applications. California Title 24 Compliant, JA8 compliant.

Electrical

Equipped standard with 120V 10-100% dimming driver.

Installation

Designed for mounting on 3" or 4" electrical J-Box.

Warranty

3-year Limited Warranty. See warranty documentation for more information.



Quick Ship

RDXL-15-26-120D-927/50

Ordering Information

Example: RDXL-15-26-120D-930-WH

| RDXL | 15 | 26 | 120D | MCT | WH | |
|--|-----------------|---|---|--|------------------|--|
| Series | Diameter | Rated Wattage | Driver Type | Color Temp | Finish | |
| RDXL LED Round Low Profile Flush | 15-15" | 15" Housing 26- 26W, (1,820 Lumens) | 120D- 120V Dimming, Dims to 10% | MCT- 2700/3000/3500 4000/5000K; 90+CRI | WH- White | |

Adders Options & Accessories



Fixture Mounted Occupancy, On/Off

An economical fixture mounted sensor utilizing passive infrared technology turns the fixture On/Off.



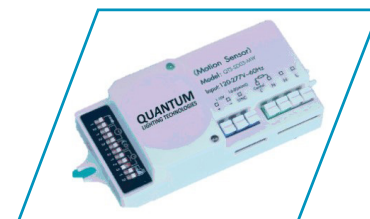
Microwave Bi-Level Sensor Fixture Mount

An IP65 and remote capable part of the Globalux family of Intelligent sensors that dims the fixture to either 10,20,30, or 50% of full light output for safety and code compliance, and automatically switches to full illumination when the space is occupied.



Integral Microwave Sensor, On/Off

An economical fixture mounted sensor utilizing passive infrared technology turns the fixture On/Off.



Integral Bi-Level Microwave Sensor

Part of the Globalux family of Intelligent sensors that dims the fixture to either 10,20,30, or 50% of full light output for safety and code compliance, and automatically switches to full illumination when the space is occupied.



Emergency Battery

The emergency battery back-up provides 90 minutes of power to your fixture in the event of an emergency.



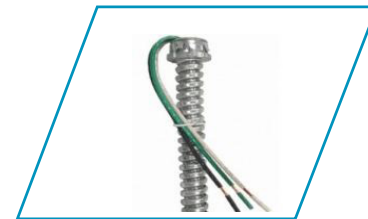
High Voltage Transformers

High voltage transformers allow the fixture to receive a higher power input of 347V-480V.



Cords & Plug Option

Standard 6ft cord with custom lengths and plugs available for wiring fixture.



Fixture Whips

Armored cable fixture whips used for lighting and power distribution.

Emergency Battery Back-up

| | |
|-------|------------------------------|
| EML8 | 800 Lumen Emergency Battery |
| EML16 | 1600 Lumen Emergency Battery |

Motions Sensors

| | |
|---------|--------------------------------------|
| OS | Fixture Mounted Occupancy Sensor |
| MOS | Integral Mic. Sensor On/Off |
| MOSB | Integral Mic. Sensor Bi-Level |
| MOSB-FM | Fixture Mounted Mic. Sensor Bi-Level |

Cords, Plugs and Whips

| | |
|-----|---------------|
| FW3 | 3FT Flex 18/4 |
| FW4 | 4FT Flex 18/4 |

| | |
|-----|-------------------------|
| MV | 120-277V |
| MVD | 120-277V; 0-10V Dimming |
| HVD | 347-480V; 0-10V Dimming |
| HV | 347-480V |