



Project	
Notes	
Type	Date
Cat. No.	

**LRE™ Series** Recessed Edge-Lit Round Panel



**DESCRIPTION**

The CCT Adjustable LRE Series LED Downlight provides high-quality light output and efficiency featuring a switch for easy color temperature adjustment - while eliminating the need for recessed housings. The innovative, slim design allows for easy retrofit, remodel or new construction installation from below the ceiling. The LED module maintains at least 70% light output for 50,000 hours. The LRE Series is wet location listed – making it ideal for use in a breadth of outdoor residential, hospitality, commercial and multifamily applications.

**Specification Features**



**Construction**

Aluminum die cast outer frame. Durable, powder coat paint to prevent rust. FT4 plenum rated cable connector to connect from module to remote driver box. IC rated driver with convenience and value of two remote selectable color temperature options, each with a setting choice to choose either 2700K, 3000K, 3500K, 4000K, and 5000K using the switch. The isolated driver integrated inside steel remote box with four 7/8" knockouts with slots for pryout. Suitable for pulling wires with the 12 cubic-inch wiring compartment to accommodate up to (6) 14 gauge insulated conductors; making the LRE Series LED Downlights much easier to wire in 2in/2out (plus ground) daisy-chain applications and contractor friendly.

**Warranty**

3-year Limited Warranty. See warranty documentation for more information.

**Electrical**

Equipped standard with 120V 15-100% dimming driver.

**Installation**

Ideal for shallow ceiling plenum; no housing required. Steel spring clip for easy installation. 6" cut out template is provided to ensure a correct sized hole is cut into ceiling for proper installation of the trim. Size of hole should not exceed 6 1/4 inches for this product. Suitable for installation in t-grid and drop ceiling applications. 2" plenum space required for installation of the remote driver box.

**Qualifications**

All luminaires are built to UL 1598 and 2108 standards, and bear appropriate ETL labels. Wet location labeling is standard. Adheres to LM70, LM80, and TM21 industry standards. ENERGY STAR® certified product (for 3000K and 4000K only) and Title 24 qualified. Dedicated 120V Models are FCC Title 47 CFR, Part 15, Class B for residential and commercial applications. California Title 24 Compliant, JA8 Compliant, CEC Listed, State of California Energy Commission

<b>LRE Series</b>
<b>4" Housing</b> 9W (550 Lumens)
<b>6" Housing</b> 12W (850 Lumens)

Rated Life 50,000 hours  
Limited Warranty 3 years  
Efficacy Up to 70 LPW  
Continuous Dimming



**Quick Ship**  
LRE-4-9-120D-927/50-WH  
LRE-6-12-120D-927/50-WH

**Ordering Information**

Example: LRE-4-9-120D-927/50-WH

LRE	4	9	120D	9	27/50	WH
<b>Series</b> LRE Recessed Edge-Lit Round Panel	<b>Size</b> 4-4"¹ ² 6- 6"¹ ²	<b>Rated Wattage</b> <b>4" Housing</b> 9- 9W (550 Lumens) <b>6" Housing</b> 12-12W (850 Lumens)	<b>Driver Type</b> 120D-120V Dimming, Dims to 10% Triac Dimming	<b>CRI</b> 9 90+ CRI¹ ²	<b>Color Temp</b> CCT Adjustable 27/50-2700/3000/ 3500/4000/5000K	<b>Finish</b> WH- White¹ ²
<b>Options</b>						

Specifications and Dimensions subject to change without notice.

## Performance Summary

Input Voltage	120V
Input Frequency	50/60 Hz
Rated Wattage	See Performance Table
Delivered Lumens	See Performance Table
Efficacy	> 70 LPW (typ.)
CRI	90+, R9 > 0
Available CCT <sup>1</sup>	2700/3000/3500/4000/5000K
Color Consistency <sup>2</sup>	5-step MacAdam Ellipse
Rated Life	50,000 hours
L70 <sup>3</sup>	> 72,000 hours or > 45,000
Power Factor	>0.99
THD	< 20%
Dimming	120V Dimming(10-100%)
Operating Temp.	-18°C to 40°C

## Performance Data

Lens Type	Form Factor	Catalog No.	Rated Wattage (W)	Delivered Lumens	Efficacy (lm/W)
Acrylic		LRE-4-9-120D-927/50	9W	550	61
		LRE-6-12-120D-927/50	12W	850	70

### NOTES:

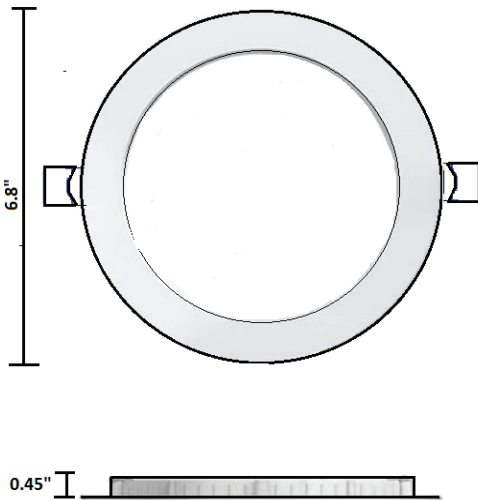
- Made to order items. Minimum 90 day lead time. Minimum 500 order quantity.
- Energy star listed
- Typical color consistency. May vary or be changed.
- L70 hours calculated based on LED package manufacturer LM80 report and ISTMT report of LED in luminaire. Stated values are for select catalog numbers. Contact manufacturer for detailed information
- Actual performance may differ as a result of end-user environment and application. All values are design or typical values, measured under laboratory conditions at 25 °C.



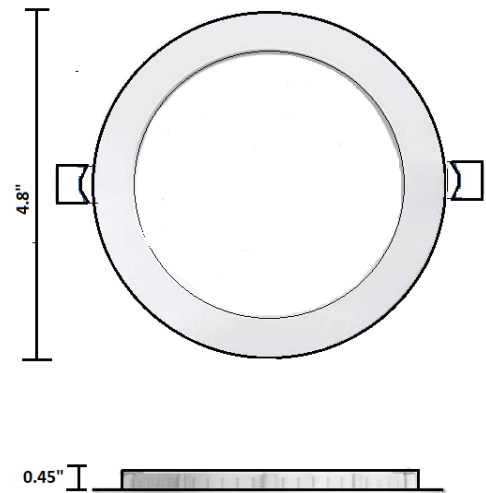
Specifications and Dimensions subject to change without notice.

Product Dimensions

LRE-6



LRE-4



© 2019 GlobaLux Lighting, LLC. All rights reserved. For informational purposes only. Reproduction in whole or part is prohibited without prior written consent of the copyright owner. The information presented in this document does not form part of any quotation or contract, is believed to be accurate and reliable and may be changed without notice. No liability will be accepted by the publisher for any consequences of its use. GlobaLux Lighting reserves the rights make changes in specification at any time without notice.

**GlobaLux Lighting LLC**  
[www.globaluxlighting.com](http://www.globaluxlighting.com)  
 2037 S. Vineyard Ave  
 Ontario, CA 91761  
 Ph: 909-591-7506