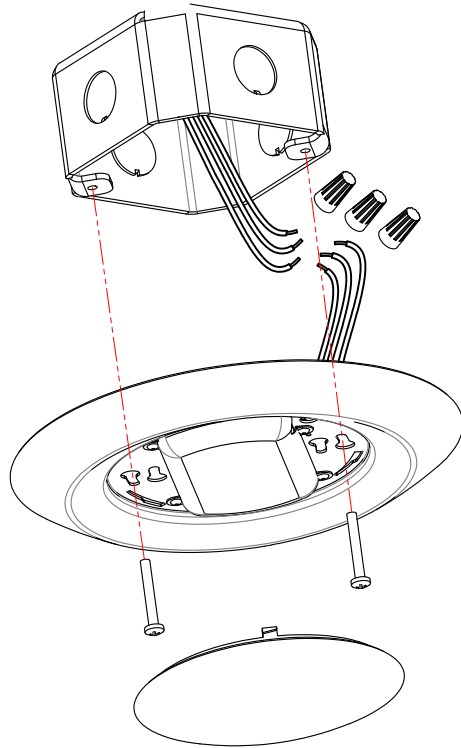


Installation Instructions



- 1) Using a wire nut, attach LDL4 positive(Black) wire with positive wire in electrical box.
- 2) Perform the same task with negative to negative and ground(Green) to ground wires.
- 3) Mount the fixture by using two screws at each end by the lens to the designated screw slot in the electrical box.