

PROJECT	NOTES	TYPE	DATE	CAT. No.
---------	-------	------	------	----------

LIN

Lin 52" Ceiling Fan

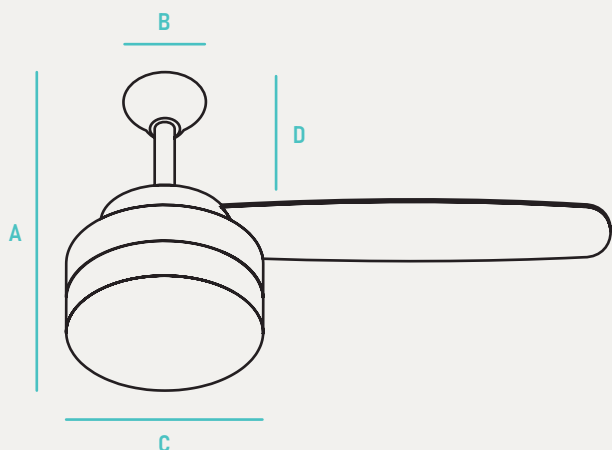
The LIN series is a family of ceiling fans featuring a simple 5 blade design. The clean lines and traditional design of this AC Motor fan makes an elegant addition to your home décor. The reversible feature makes this fan perfect to use during every season.



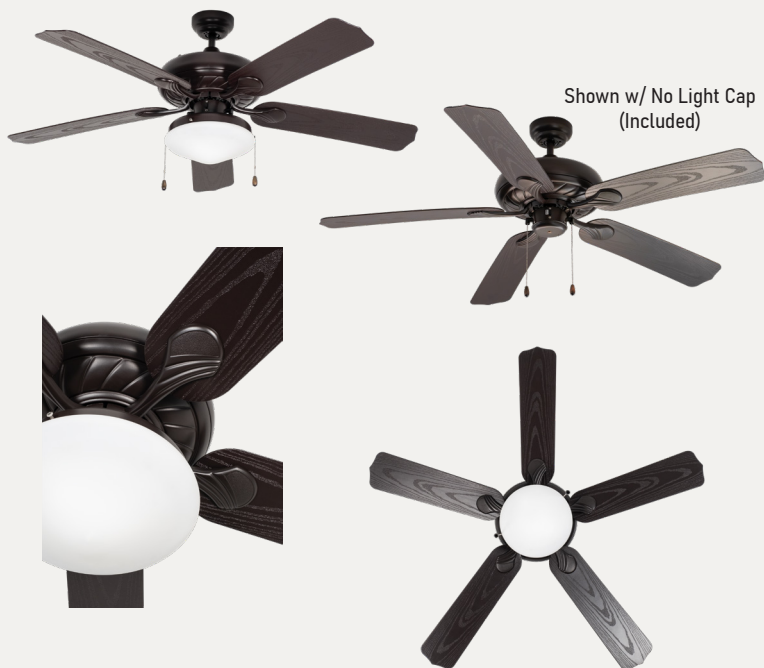
INPUT VOLTAGE	120V	COLOR CONSISTENCY	5-Step MacAdams Ellipse
INPUT FREQUENCY	50/60 Hz	RATED LIFE	15,000hrs (Based on 3hrs a Day)
RATED WATTAGE	2-9W LED Bulbs	L70	N/A
DELIVERED LUMENS	650Lm	POWER FACTOR	N/A
EFFICACY	68 LPW (typ.)	THD	N/A
CRI	80	DIMMING	Yes
AVAILABLE CCT	3000K	OPERATING TEMP.	-0.4°F - 104°F / -18°C to 40°C
FAN DIAMETER	52"	RPM (H/M/L)	175 / 120 / 70
MOTOR LEAD LENGTHS	80"	AIRFLOW EFFICIENCY (CFM/W)	90
MOTOR SIZE	AC 153mm x 16mm	AIRFLOW (CFM)	High Speed: 4800
ELECTRICITY USE (H/M/L)	59W / 28.2W / 10.9W	AVERAGE AIRFLOW CFMave	3228
AMPS (H/M/L)	0.5 / 0.35 / 0.22	BEAM ANGLE	N/A
LENS TYPE	Glass		

ORDER INFO / EXAMPLE: LIN-52-5-2MB-120D-830-BZ-BZ-PC

SERIES	SIZE	FAN BLADE	LIGHT SOURCE	DRIVER TYPE	COLOR TEMP	FINISH	BLADE COLOR	ACCESSORY
LIN	52	5	2MB	120D	830	BZ	BZ	PC
LIN 52" Ceiling Fan	52- 52" Sweep	5- 5 Blades	2MB- 2 Medium Base Socket (2) 9.5W LED Bulbs 650 Lumens	120D- 120V Dimmable	830- 3000K, 80CRI	BZ- Bronze BL- Black	BZ- Bronze BL- Black	PC- Pull Chain



ADDITIONAL IMAGES



	A	B	C	D	Case QTY
LIN	19"	5-3/20"	12-3/4"	12"	1

CONSTRUCTION

Steel Housing with ABS Blades and Satin Opal Glass Diffuser

MOTOR

153mm x 16mm. Includes (1) 4-1/2" Downrod.

QUALIFICATIONS

All ceiling fans are built to UL 507 standards, and bear appropriate ETL labels. Dry location labeling is standard.

BLADES

52" Sweep, 5 Blade Configuration Blade, Pitch Angle:12°

Color: ABS Weathered Bronze Blades

ELECTRICAL

Operates at 120V 60HZ.

WARRANTY

Motor: Limited Lifetime Warranty. Non-Electrical 1 Year Limited Warranty. See complete warranty for terms and exclusions. (Labor not included).

RECOMMENDED DIMMERS

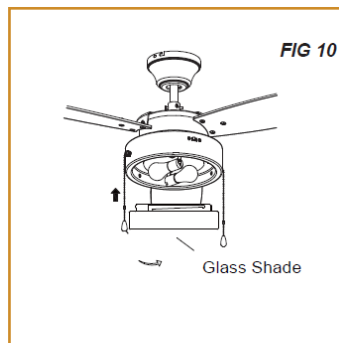
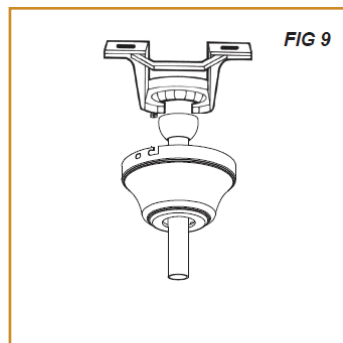
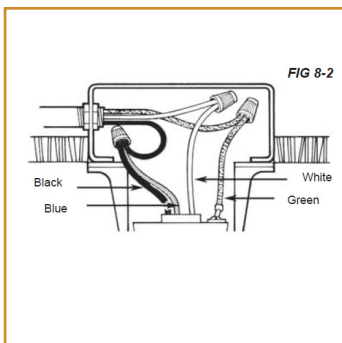
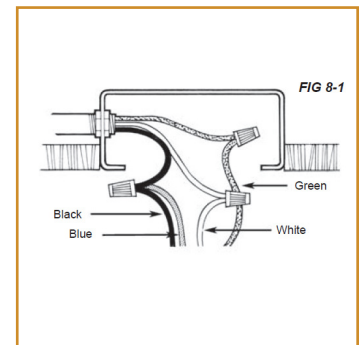
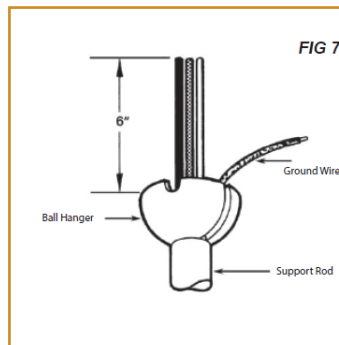
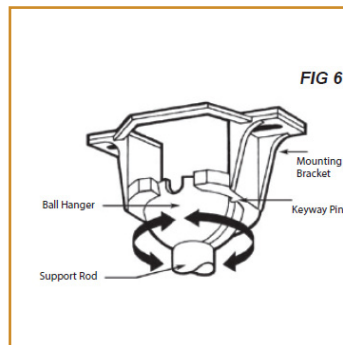
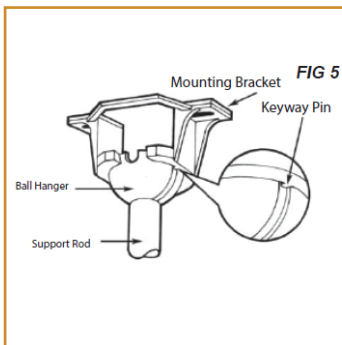
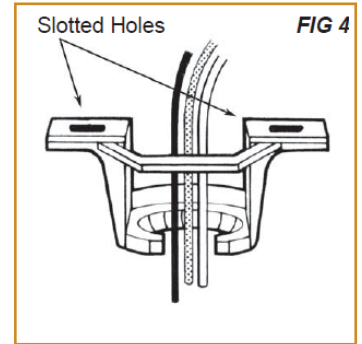
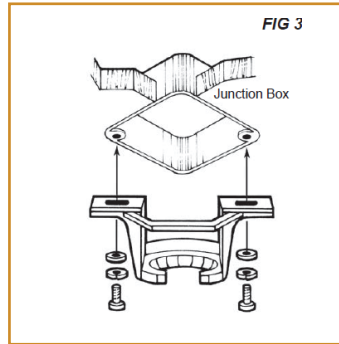
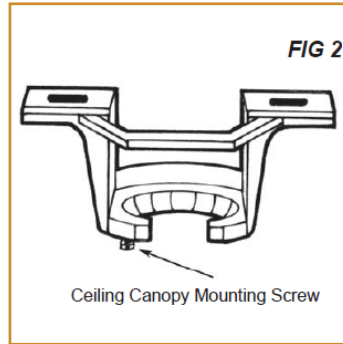
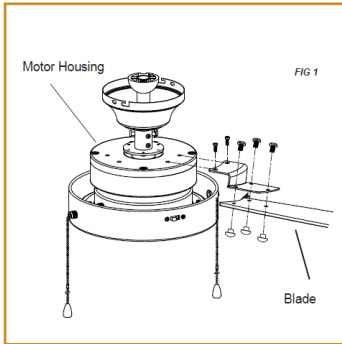
DVCL-153P (Lutron)

COMPATIBLE JUNCTION BOXES



4" PVC Ceiling Box

INSTALLATION INSTRUCTIONS



Made to order items. Minimum 90 day lead time. Minimum order quantity may vary please contact sales.

¹ DLC Listed / ² DLC Premium Listed / ³ Title 24 / ⁴ JA8 & Title 24 / Typical color consistency. May vary or be changed.

L70 hours calculated based on LED package manufacturer LM80 report and ISTMT report of LED in luminaire. Stated values are for select catalog numbers. Contact Globalux for detailed information. / Actual performance may differ as a result of end-user environment and application. All values are design or typical values, measured under laboratory conditions at 25 °C.