

PROJECT	NOTES	TYPE	DATE	CAT. No.
---------	-------	------	------	----------

FINISH OPTIONS ON PAGE 2



RDLE

Energy Star LED Round Low Profile Flush

RDLE series LED Disk Light provides versatile lighting on standard line voltage, yet produces the high energy savings you desire from LED fixtures. The RDLE series allows for easy upgrade to your downlighting from the traditional recessed cans to a more modern looking, energy efficient solution. This Disk Light can be mounted on to a junction box or retrofitted into an existing recessed can with the optional hardware mounting adapter (not included).



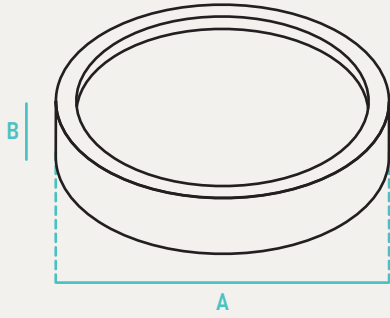
INPUT VOLTAGE	120V
INPUT FREQUENCY	50/60 Hz
RATED WATTAGE	See Performance Data
DELIVERED LUMENS	See Performance Data
EFFICACY	See Performance Data
CRI	90
AVAILABLE CCT	2700K, 3000K, 3500K, 4000K, 5000K
LENS TYPE	Plastic

RATED LIFE	50,000hrs (Based on 3hrs a Day)
L70	>50,000hrs
POWER FACTOR	>0.9
THD	<20%
DIMMING	120V Dimming (10-100%)
OPERATING TEMP.	-4°F - 113°F / -20°C to 45°C
BEAM ANGLE	N/A

ORDER INFO / EXAMPLE: RDLE-5-10-120D-930-WH-BULK

QUICK SHIP ITEMS ON PG.2

SERIES	DIAMETER	RATED WATTAGE	DRIVER TYPE	COLOR TEMP	FINISH	CASE
RDLE	6	15	120D	930	WH	BULK
RDLE Energy Star LED Round Low Profile Flush	5-5" 7-7" 9-9" 12-12"	5" Housing 10- 10W, 820 Lumens, 7" Housing 15- 15W, 1230 Lumens, 9" Housing 18- 18W, 1476 Lumens, 12" Housing 22- 22W, 1804 Lumens	120D- 120V Dim- ming, 10-100% 277- 277V Triac Dimming	930- 3000K, 90CRI 940- 4000K, 90CRI MCT- 2700K, 3000K, 3500K 4000K, 5000K CCT Selectable, 90CRI	BL- Black BN- Brushed Nickel WH- White ORB- Oil Rubbed Bronze	BULK- Bulk (Case of 12)
OPTIONS / ACCESSORIES						
OPTIONS EM2-RDL-7-WH 7" Emergency Battery EMBX-RDL-7-WH 7" Blank Box EM2-RDL-12-WH 12" Emergency Battery EMBX-RDL-12-WH 12" Blank Box 0-10V 0-10V Dimming EMTB Fixture w/ Emergency Test Button (Compatible only with EML-JB-AC2 / Available in case of 12)				ACCESSORIES EML-JB-AC2 8W Battery Inside J-Box (Sold Separately) TRIMS TRIM-RDL-5-BN 5" Nickel Trim TRIM-RDL-5-BL 5" Black Trim TRIM-RDL-7-BN 7" Nickel Trim TRIM-RDL-7-BL 7" Black Trim TRIM-RDL-12-BN 12" Nickel Trim TRIM-RDL-12BL 12" Black Trim		



PERFORMANCE DATA				
FORM FACTOR	KELVIN	RATED WATTAGE	DELIVERED LUMENS	EFFICACY (LM/W)
5"	27K-5K	10W	820	82
7"	27K-5K	15W	1230	82
9"	27K-5K	18W	1476	82
12"	27K-5K	22W	1804	82

	A	B	Case QTY
RDLE-5	5.4" Dia	0.7" H	12
RDLE-7	7.9" Dia	0.7" H	12
RDLE-9	9" Dia	0.7" H	12
RDLE-12	12" Dia	0.7" H	12

QUICK SHIP
COMING SOON

ADDITIONAL IMAGES



WH- White



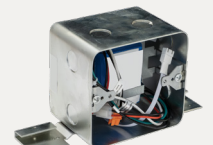
BL- Black



BN- Brushed Nickel



RDLE w/EMTB
(Test Switch)



EML-JB-AC2
(Sold Separately)

RECOMMENDED DIMMERS
DVCL-153P (Lutron)

CONSTRUCTION

Injection molded trim with diffusion lens for optimal visual comfort while providing exceptional light output. Edge Lit technology and lens design and materials provide uniform appearance without pixelation.

ELECTRICAL

Equipped standard with 120V, 10-100% dimming driver.

QUALIFICATIONS

All luminaires are built to UL 1598 and 2108 standards, and bear appropriate ETL labels. Wet location labeling is standard. Emergency equipped fixtures labeled UL924. Suitable for closets according to NEC Section 410.8 & 410.16. Adheres to LM70, LM80 and TM21 industry standards. Title 24 qualified. Dedicated 120V Models are FCC Title 47 CFR, Part 15, Class B for residential and commercial applications. Energy Star Compliant

INSTALLATION

Designed for mounting on 3" or 4" electrical J-Box.

WARRANTY

5-year Limited Warranty. See warranty documentation for more info.

COMPATIBLE JUNCTION BOX



4" PVC



4" Octagon



4" PVC Ceiling Box



3-1/2" Octagon



4" Round Pancake



4" Octagon / V Bracket