

|         |       |      |      |          |
|---------|-------|------|------|----------|
| PROJECT | NOTES | TYPE | DATE | CAT. No. |
|---------|-------|------|------|----------|

FINISH OPTIONS ON PAGE 2

# MOD

## 52" Moderna Ceiling Fan

The MOD series is a ceiling fan featuring a stylish 3 blade design. With clean lines and modern design this fan makes a modernized addition to your contemporary home décor. The reversible feature makes this fan perfect to use during every season.

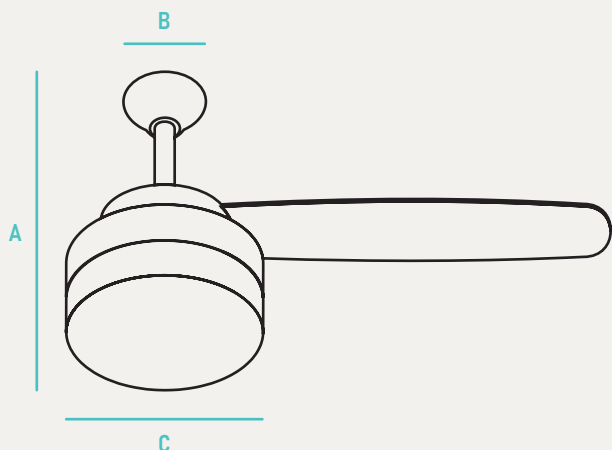


|                         |                         |
|-------------------------|-------------------------|
| INPUT VOLTAGE           | 120V                    |
| INPUT FREQUENCY         | 60 Hz                   |
| RATED WATTAGE           | 18W                     |
| DELIVERED LUMENS        | 1000Lm                  |
| EFFICACY                | 55.5 LPW (typ.)         |
| CRI                     | 80CRI                   |
| AVAILABLE CCT           | 3000K                   |
| FAN DIAMETER            | 52"                     |
| MOTOR LEAD LENGTHS      | 80"                     |
| MOTOR SIZE              | AC 153mm x 13mm         |
| ELECTRICITY USE (H/M/L) | 57.38W / 32.2W / 12.49W |
| AMPS (H/M/L)            | 0.48 / 0.32 / 0.23      |
| LENS TYPE               | Glass                   |

|                            |                                 |
|----------------------------|---------------------------------|
| COLOR CONSISTENCY          | 5-Step MacAdams Ellipse         |
| RATED LIFE                 | 20,000hrs (Based on 3hrs a Day) |
| L70                        | N/A                             |
| POWER FACTOR               | N/A                             |
| THD                        | N/A                             |
| DIMMING                    | Yes                             |
| OPERATING TEMP.            | -0.4°F - 104°F / -18°C to 40°C  |
| RPM (H/M/L)                | 197 / 140 / 74                  |
| AIRFLOW EFFICIENCY (CFM/W) | 72                              |
| AIRFLOW (CFM)              | High Speed: 3,636               |
| AVERAGE AIRFLOW CFMave     | 2,595                           |
| BEAM ANGLE                 | N/A                             |

### ORDER INFO / EXAMPLE: MOD-52-3-18-120D-830-BN-SB-PC

| SERIES                      | SIZE          | FAN BLADE   | LIGHT SOURCE                       | DRIVER TYPE            | COLOR TEMP         | FINISH                                       | BLADE COLOR                                       | ACCESSORY                           |
|-----------------------------|---------------|-------------|------------------------------------|------------------------|--------------------|--|---|-------------------------------------|
| <b>MOD</b>                  | <b>52</b>     | <b>3</b>    | <b>18</b>                          | <b>120D</b>            | <b>830</b>         | <b>BN</b>                                    | <b>SB</b>   | <b>PC</b>                           |
| MOD 52" Moderna Ceiling Fan | 52- 52" Sweep | 3- 3 Blades | 18- 18W Integrated LED 1000 Lumens | 120D- 120V Dims to 10% | 830- 3000K, 80+CRI | BN- Brushed Nickel<br>WH- White<br>BL- Black | SB- Silver / Black Rev.<br>WH- White<br>BL- Black | PC- Pull Chain<br>CFW- Wall Control |



|     | A       | B  | C  | Case QTY |
|-----|---------|----|----|----------|
| MOD | 11-3/4" | 7" | 7" | 1        |

### CONSTRUCTION

Steel Housing, Plywood Blades and Frosted Glass Light Diffuser provides uniform appearance without pixelation.

### MOTOR

Reversible 3-Speed with 80" Lead Wire. Premium Silicone Steel AC Motor

### QUALIFICATIONS

All ceiling fans are built to UL 507 standards, and bear appropriate ETL labels. Dry location labeling is standard.

### BLADES

52" Sweep, 3 Blade Configuration; Blade Pitch: 11°; Color: Black

### ELECTRICAL

Operates at 120V 60HZ.

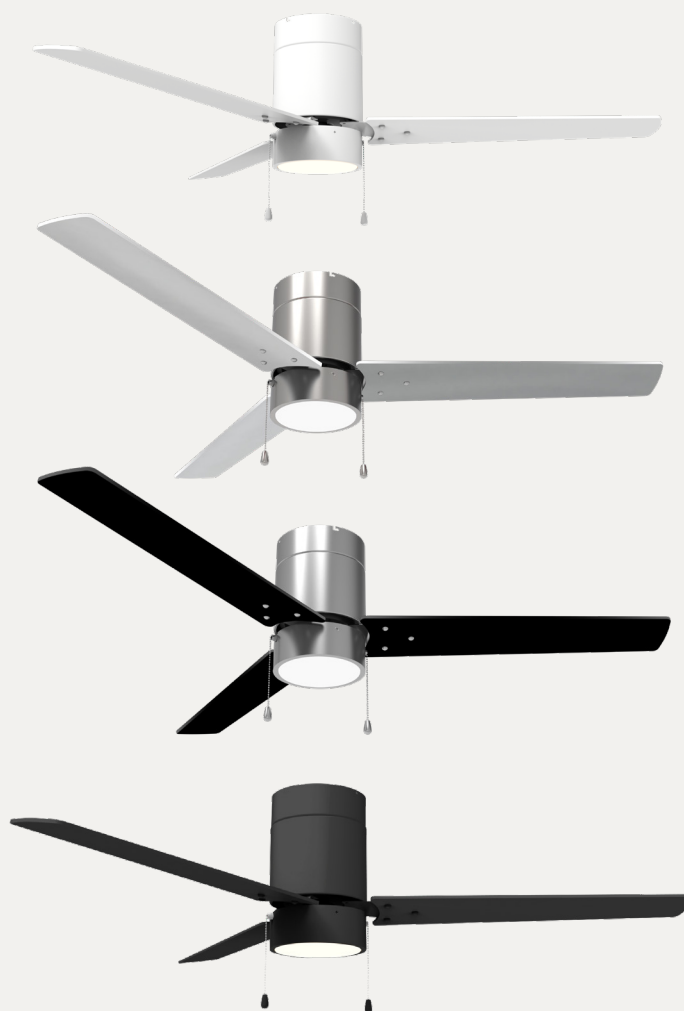
### WARRANTY

Light Source: 3-year limited warranty. Motor: Limited Lifetime Warranty. Non-Electrical 1 Year Limited Warranty. See complete warranty for terms and exclusions. (Labor not included).

QUICK SHIP

SPECIAL ORDER

### ADDITIONAL IMAGES



### RECOMMENDED DIMMERS

DVCL-153P (Lutron)

Made to order items. Minimum 90 day lead time. Minimum order quantity may vary please contact sales.

<sup>1</sup> DLC Listed / <sup>2</sup> DLC Premium Listed / <sup>3</sup> Title 24 / <sup>4</sup> JA8 & Title 24 / Typical color consistency. May vary or be changed.

L70 hours calculated based on LED package manufacturer LM80 report and ISTMT report of LED in luminaire. Stated values are for select catalog numbers. Contact Globalux for detailed information. / Actual performance may differ as a result of end-user environment and application. All values are design or typical values, measured under laboratory conditions at 25 °C.