

|         |       |      |      |          |
|---------|-------|------|------|----------|
| PROJECT | NOTES | TYPE | DATE | CAT. No. |
|---------|-------|------|------|----------|



# DOW

## Decorative Outdoor Pocket Lantern

The DOW LED Outdoor Pocket Lantern seamlessly blends form and function. Crafted with a weather-resistant aluminum housing, it houses high-performance LEDs that emit a uniform, soft glow through a frosted glass diffuser. Perfect for both security and general lighting, this lantern adds a touch of elegance to residential, commercial, and hospitality spaces. Illuminate your outdoor areas with style and practicality!



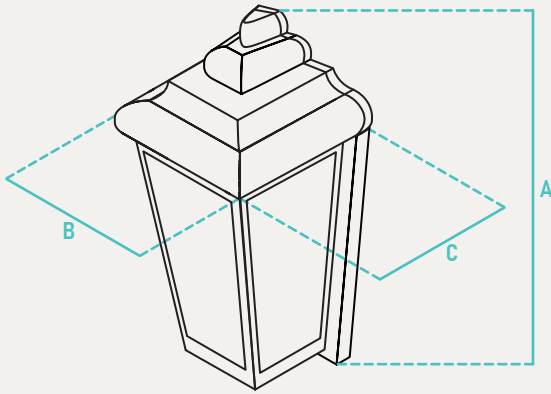
|                  |                      |
|------------------|----------------------|
| INPUT VOLTAGE    | 120V                 |
| INPUT FREQUENCY  | 60 Hz                |
| RATED WATTAGE    | See Performance Data |
| DELIVERED LUMENS | See Performance Data |
| EFFICACY         | 60 LPW (typ.)        |
| CRI              | 80                   |
| AVAILABLE CCT    | 3000K, 3500K, 4000K  |
| LENS TYPE        | Glass                |

|                 |                                 |
|-----------------|---------------------------------|
| RATED LIFE      | 30,000hrs (Based on 3hrs a Day) |
| L70             | >50,000hrs                      |
| POWER FACTOR    | >0.9                            |
| THD             | 45%                             |
| DIMMING         | N/A                             |
| OPERATING TEMP. | -4°F - 113°F / -20°C to 45°C    |
| BEAM ANGLE      | N/A                             |

### ORDER INFO / EXAMPLE: DOW-12-120-MCT-BL

QUICK SHIP ITEMS ON PG.2

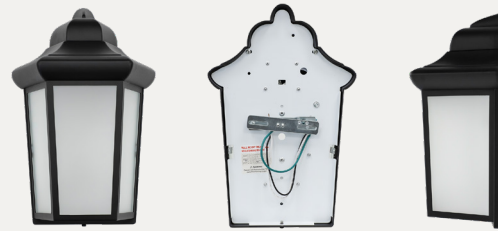
| SERIES                                      | RATED WATTAGE       | DRIVER TYPE | COLOR TEMP  | FINISH    | OPTIONS      |
|---|---------------------|-------------|---|-----------|--------------|
| <b>DOW</b>                                  | <b>12</b>           | <b>120</b>  | <b>MCT</b>  | <b>BL</b> | <b>P</b>     |
| DOW<br>Decorative Outdoor<br>Pocket Lantern | 12- 12W, 720 Lumens | 120- 120V   | MCT- 3000K, 3500K, 4000K<br>CCT Selectable Switch;<br>80CRI | BL- Black | P- Photocell |



| PERFORMANCE DATA |           |               |                  |                 |
|------------------|-----------|---------------|------------------|-----------------|
| FORM FACTOR      | KELVIN    | RATED WATTAGE | DELIVERED LUMENS | EFFICACY (LM/W) |
| 12W              | 3K/35K/4K | 12W           | 720              | 60              |

| QUICK SHIP        |
|-------------------|
| DOW-12-120-MCT-BL |

### ADDITIONAL IMAGES



|     | A       | B      | C      | Case QTY |
|-----|---------|--------|--------|----------|
| DOW | 12.3" H | 8.3" W | 5.5" E | 6        |

### CONSTRUCTION

Rugged die cast aluminum housing withstands outdoor environments. Outer surface treated with durable powder coating to provide resistant to corrosion, rust, weathering, and or degradation. Performance engineered internal heat dissipation provide superior thermal management for LED life and reliability.

### ELECTRICAL

Equipped standard with 120V fixed output driver operating at 60HZ.

### QUALIFICATIONS

All luminaires are built to UL 1598 and 2108 standards, and bear appropriate ETL labels. Wet location labeling is standard. Adheres to LM70, LM80, and TM21 industry standards. Dedicated 120V Models are FCC Title 47 CFR, Part 15, Class B for residential and commercial applications.

### INSTALLATION

Designed for mounting on 4" electrical J-Box.

### WARRANTY

3-year Limited Warranty. See warranty documentation for more info.

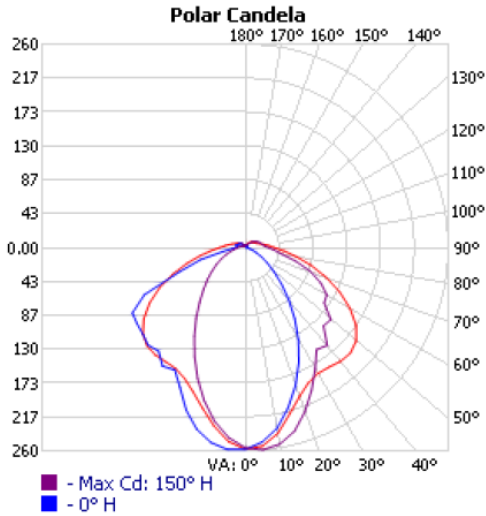
### COMPATIBLE JUNCTION BOX



|        |            |                    |                |                  |                        |
|--------|------------|--------------------|----------------|------------------|------------------------|
| 4" PVC | 4" Octagon | 4" PVC Ceiling Box | 3-1/2" Octagon | 4" Round Pancake | 4" Octagon / V Bracket |
|--------|------------|--------------------|----------------|------------------|------------------------|

## PHOTOMETRIC DATA

DOW-12-120-MCT-BL



### Zonal Lumen Summary

| Zone   | Lumens | % Lamp | % Luminaire |
|--------|--------|--------|-------------|
| 0-30   | 168.4  | 22.9%  | 22.8%       |
| 0-40   | 265.8  | 36.1%  | 36.1%       |
| 0-60   | 481.6  | 65.4%  | 65.3%       |
| 60-90  | 185.0  | 25.1%  | 25.1%       |
| 70-100 | 116.4  | 15.8%  | 15.8%       |
| 90-120 | 50.1   | 6.8%   | 6.8%        |
| 0-90   | 666.6  | 90.5%  | 90.4%       |
| 90-180 | 70.5   | 9.6%   | 9.6%        |
| 0-180  | 737.1  | 100.1% | 100%        |

Made to order items. Minimum 90 day lead time. Minimum order quantity may vary please contact sales.

<sup>1</sup> DLC Listed / <sup>2</sup> DLC Premium Listed / <sup>3</sup> Title 24 / <sup>4</sup> JA8 & Title 24 / Typical color consistency. May vary or be changed.

L70 hours calculated based on LED package manufacturer LM80 report and ISTMT report of LED in luminaire. Stated values are for select catalog numbers. Contact Globalux for detailed information. / Actual performance may differ as a result of end-user environment and application. All values are design or typical values, measured under laboratory conditions at 25 °C.