

PROJECT	NOTES	TYPE	DATE	CAT. No.
---------	-------	------	------	----------



PTL

CCT Adjustable LED Post Top Lantern

The PTL series provides even illumination with advanced LED technology, making it an ideal post top lighting solution for exterior walkways, courtyards, and parking lots. The PTL features a polycarbonate precision lens in a Type V "very short" distribution and is easily mounted to a 3" diameter pole using a 2 3/8" tenon adapter.



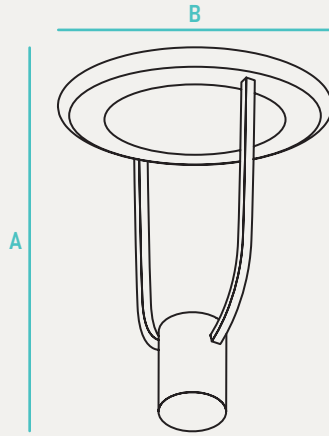
INPUT VOLTAGE	120-277V
INPUT FREQUENCY	50/60 Hz
RATED WATTAGE	55W
DELIVERED LUMENS	7700
EFFICACY	125-140 LPW (typ.)
CRI	80CRI
AVAILABLE CCT	3000K, 4000K, 5000K
LENS TYPE	PC

RATED LIFE	5yrs (Based on 3hrs a Day)
L70	N/A
POWER FACTOR	0.9
THD	20%
DIMMING	0-10V Dimming
OPERATING TEMP.	N/A
BEAM ANGLE	150°

ORDER INFO / EXAMPLE: PTL-55-MV-830/40/50

QUICK SHIP ITEMS ON PG.2

SERIES	RATED WATTAGE	DRIVER TYPE	COLOR TEMP	OPTIONS
PTL	55	MV	830/40/50	P
PTL LED Post Top Lantern	55- 55W, 7700 Lumens	MV- 120-277V	830/40/50- 3000K, 4000K, 5000K CCT Selectable; 80CRI	P- Photocell



PERFORMANCE DATA

FORM FACTOR	KELVIN	RATED WATTAGE	DELIVERED LUMENS	EFFICACY (LM/W)
55W	3K/4K/5K	55W	7700	140

QUICK SHIP

PTL-55-MV-830/40/50 ¹

ADDITIONAL IMAGES



	A	B	Case QTY
PTL	20.66" H	14.96" Dia	2

CONSTRUCTION

Rugged die cast aluminum housing withstands outdoor environments. Outer surface treated with durable power coating to provide resistant to corrosion, rust, weathering, and or degradation. Performance engineered internal heat dissipation fins provide superior thermal management for lens life and reliability.

ELECTRICAL

Equipped standard with fixed output, 120-277V driver operating at 60Hz. Long Life LED's, at L80 with projected life over 60,000 hours for reduced life cycle maintenance costs. Adjustable CCT at 3000K, 4000K, 5000K.

QUALIFICATIONS

All luminaires are built to UL 1598 and 2108 standards, and bear appropriate ETL labels. Wet location labeling is standard. Emergency equipped fixtures labeled UL924. Adheres to LM70, LM80, and TM21 industry standards. DesignLights Consortium® (DLC) DLC qualified product. Not all models of this product may be DLC qualified. Please check the DLC Qualified Products List at www.designlights.org/QPL to confirm which models are qualified.

INSTALLATION

Easily mounts to a 3" diameter round pole using a 2-3/8" tenon adapter.

WARRANTY

5-year Limited Warranty. See warranty documentation for more info.

Made to order items. Minimum 90 day lead time.

Minimum order quantity may vary please contact sales.

¹ DLC Listed / ² DLC Premium Listed / ³ Title 24 / ⁴ JA8 & Title 24

Typical color consistency. May vary or be changed. L70 hours calculated based on LED package manufacturer LM80 report and ISTMT report of LED in luminaire. Stated values are for select catalog numbers. Contact Globalux for detailed information.

Actual performance may differ as a result of end-user environment and application. All values are design or typical values, measured under laboratory conditions at 25 °C.