

PROJECT	NOTES	TYPE	DATE	CAT. No.
---------	-------	------	------	----------

CHF

52" Ceiling Fan

The CHF series is a family of ceiling fans featuring a simple 5 blade design. The clean lines and traditional design of this AC Motor fan makes an elegant addition to your home décor. The reversible feature makes this fan perfect to use during every season.

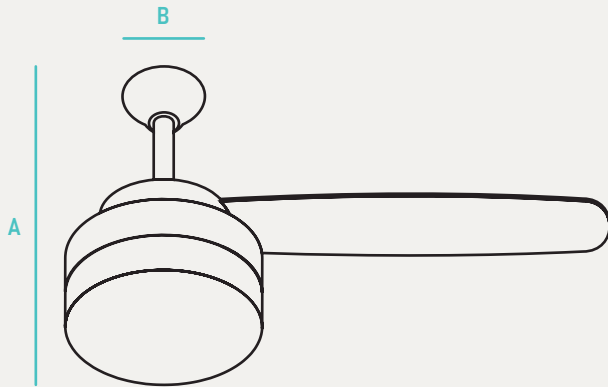


INPUT VOLTAGE	120V	RATED LIFE	50,000hrs (Based on 3hrs a Day)
INPUT FREQUENCY	50/60 Hz	L70	N/A
RATED WATTAGE	N/A	POWER FACTOR	N/A
DELIVERED LUMENS	N/A	THD	N/A
EFFICACY	N/A	DIMMING	N/A
CRI	N/A	OPERATING TEMP.	-0.4°F - 104°F / -18°C to 40°C
AVAILABLE CCT	N/A	RPM (H/M/L)	181 / 119 / 71
FAN DIAMETER	52"	AIRFLOW EFFICIENCY (CFM/W)	80
MOTOR LEAD LENGTHS	80"	AIRFLOW (CFM)	High Speed: 5,481
MOTOR SIZE	AC 153mm x 18mm	AVERAGE AIRFLOW CFMave	3,135
ELECTRICITY USE (H/M/L)	62.4W / 28.9W / 10.3W	BEAM ANGLE	N/A
AMPS (H/M/L)	0.52 / 0.35 / 0.22	LENS TYPE	

ORDER INFO / EXAMPLE: CHF-52-5-120-BN-RD-PC

SPECIAL ORDER

SERIES	SIZE	FAN BLADE	DRIVER TYPE	FINISH	BLADE COLOR	ACCESSORY
CHF	52	5	120	BN	RD	PC
CHF Ceiling Fan	52- 52" Sweep	5- 5 Blades	120- 120V	BN- Brushed Nickel WH- White BL- Black ORB- Oil Rubbed Bronze	DW- Dark Walnut WH- White RD- Rosewood / Dark Walnut Reversible	PC- Pull Chain



COMPATIBLE JUNCTION BOXES



4" PVC Ceiling Box

	A	B	Case QTY
CHF	13-1/4"	5-1/4"	1

CONSTRUCTION

Steel Housing with MDF Blades

MOTOR

3-Speed AC Motor with 80" Lead Wire. Includes (1) 4" Downrod.

QUALIFICATIONS

All ceiling fans are built to UL 507 standards, and bear appropriate ETL labels. Dry location labeling is standard.

BLADES

52" Sweep, 5 Blade Configuration Blade
Pitch Angle: 12.5°

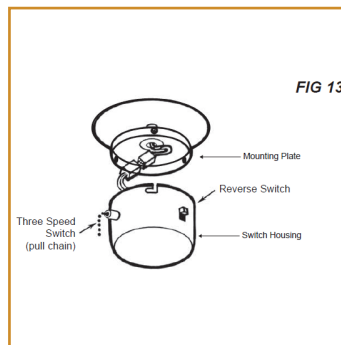
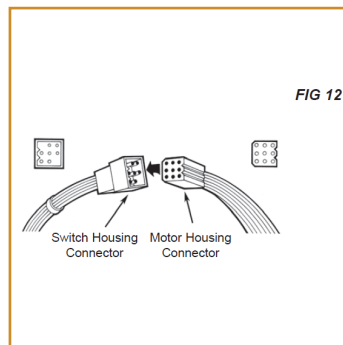
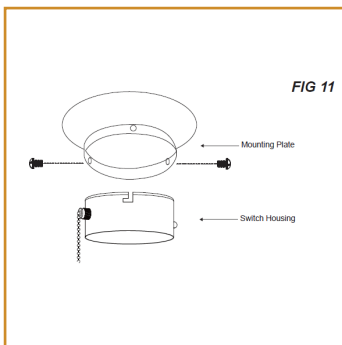
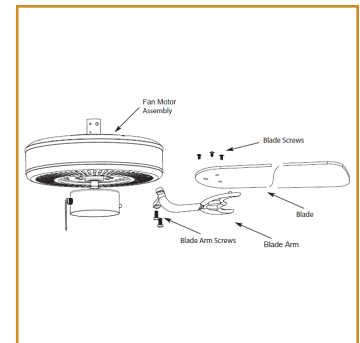
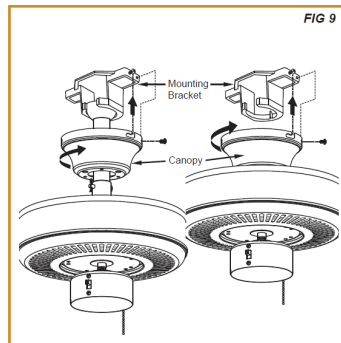
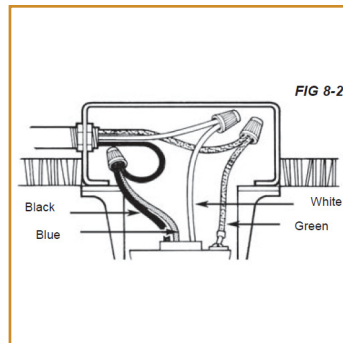
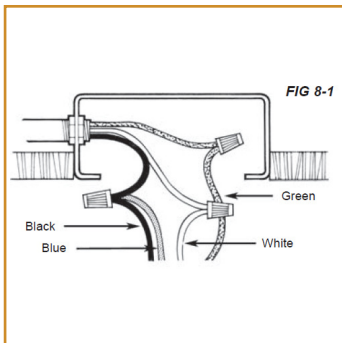
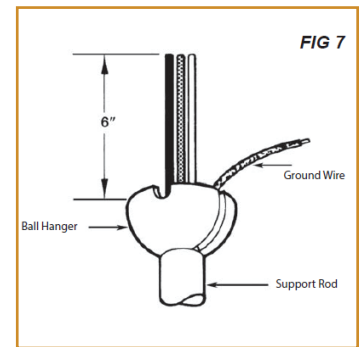
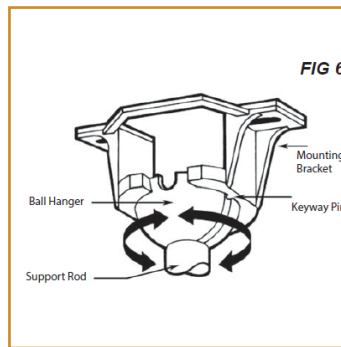
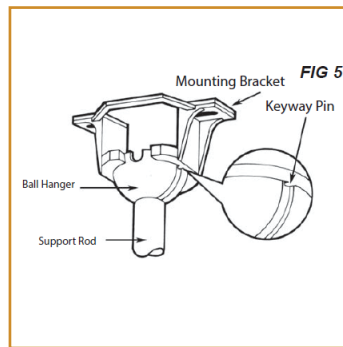
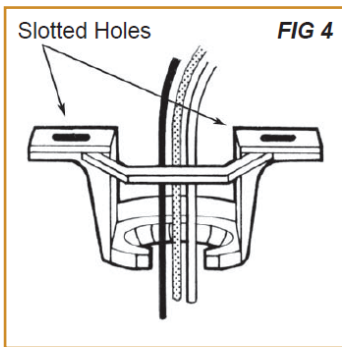
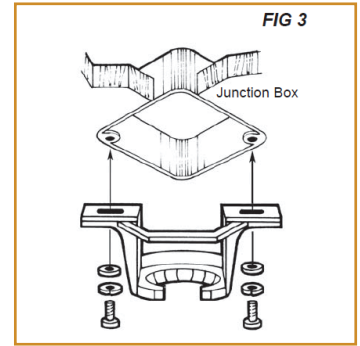
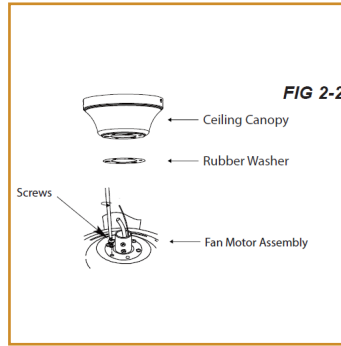
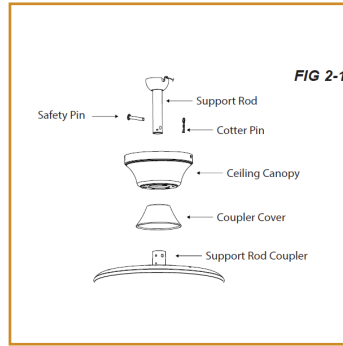
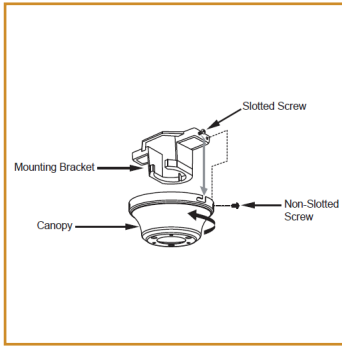
ELECTRICAL

Operates at 120V 60HZ.

WARRANTY

Motor: Limited Lifetime Warranty. Non-Electrical 1 Year Limited Warranty. See complete warranty for terms and exclusions. (Labor not included).

INSTALLATION INSTRUCTIONS



Made to order items. Minimum 90 day lead time. Minimum order quantity may vary please contact sales.

¹ DLC Listed / ² DLC Premium Listed / ³ Title 24 / ⁴ JA8 & Title 24 / Typical color consistency. May vary or be changed.

L70 hours calculated based on LED package manufacturer LM80 report and ISTMT report of LED in luminaire. Stated values are for select catalog numbers. Contact Globalux for detailed information. / Actual performance may differ as a result of end-user environment and application. All values are design or typical values, measured under laboratory conditions at 25 °C.