



PROJECT	NOTES	TYPE	DATE	CAT. No.
---------	-------	------	------	----------

# LDL4S

## LED Disk Light, Low Profile Lens



This series provides customers with a high quality luminaire utilizing the latest LED, solid state lighting and electronic driver technology for optimal performance and maximized energy efficiency. With a traditional opal white lens, the LDL4S series produces even and uniform light distribution and ideal choice for offices, corridors, stairways, bedroom, closet, and foyers applications where customers are replacing incandescent, circline or compact fluorescent lamps. The LED Based LDL4S series is a ceiling or wall mount series which can be used in a broad range of residential and commercial applications.

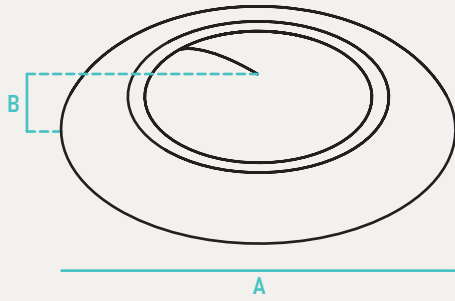


INPUT VOLTAGE	120V
INPUT FREQUENCY	60 Hz
RATED WATTAGE	See Performance Data
DELIVERED LUMENS	See Performance Data
EFFICACY	70 LPW (typ.)
CRI	90CRI
AVAILABLE CCT	2700K, 3000K, 3500K, 4000K, 5000K
LENS TYPE	Plastic

RATED LIFE	30,000hrs (Based on 3hrs a Day)
L70	>50,000hrs
POWER FACTOR	>0.9
THD	N/A
DIMMING	120V Dimming (10-100%)
OPERATING TEMP.	-4°F - 113°F / -20°C to 45°C
BEAM ANGLE	N/A

### ORDER INFO / EXAMPLE: LDL4S-6-15-120D-930-WH

SERIES	DIAMETER	RATED WATTAGE	DRIVER TYPE	COLOR TEMP	FINISH	CASE	
LDL4S	6	15	120D	930	WH	BULK	
LDL4S LED Disk Light	6-6"	15- 15W, 1050 Lumens	120D- 120V Dimming, 10-100%	930- 3000K; 90+CRI MCT- 2700K, 3000K, 3500K, 4000K, 5000K Selectable; 90+CRI	WH- White	BULK- Bulk (Case of 12) BLANK- Individual Packaging	
<b>OPTIONS / ACCESSORIES</b>							
			<b>Options</b> EMTB - Emergency Test Button (with use on EML-JB-AC2 & EM2- LDL-6/ Available in case of 12) 0-10V - 0-10V Dimming (No Triac Dimming)	<b>Emergency Backup</b> EM2-LDL-6-WH Emergency Backup (Sold Separately) EMBX-LDL-6-WH Emergency Backup (Sold Separately) EML-JB-AC2 Emergency Backup (Sold Separately)			



	A	B	Case QTY
LDL4-6	7.4" Dia	0.9" H	20

**CONSTRUCTION**

Steel body with diffusion lens for optimal visual comfort while providing uniform light output. Lens design and materials provide uniform appearance without pixelation.

**ELECTRICAL**

Equipped standard with 120V, 10-100% dimming driver.

**QUALIFICATIONS**

All luminaires are built to UL 1598 and 2108 standards, and bear appropriate ETL labels. Wet location labeling is standard. Emergency equipped fixtures labeled UL924. Suitable for closets according to NEC Section 410.8 & 410.16. Adheres to LM70, LM80 and TM21 industry standards. Dedicated 120V Models are FCC Title 47 CFR, Part 15, Class B for residential and commercial applications.

**INSTALLATION**

6" models are designed for mounting on a 4" electrical J-box.

**WARRANTY**

2-year Limited Warranty. See warranty documentation for more info.

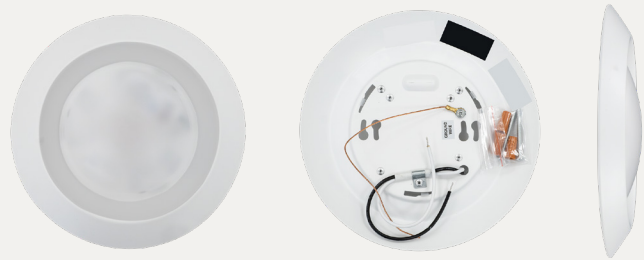
**PERFORMANCE DATA**

FORM FACTOR	KELVIN	RATED WATTAGE	DELIVERED LUMENS	EFFICACY (LM/W)
6"	3000K	15W	1050	70

**QUICK SHIP**

Coming 2025

**ADDITIONAL IMAGES**



**RECOMMENDED DIMMERS**

DVCL-153P (Lutron)

Made to order items. Minimum 90 day lead time.  
 Minimum order quantity may vary please contact sales.  
<sup>1</sup> DLC Listed / <sup>2</sup> DLC Premium Listed / <sup>3</sup> Title 24 / <sup>4</sup> JA8 & Title 24  
 Typical color consistency. May vary or be changed. L70 hours calculated based on LED package manufacturer LM80 report and ISTMT report of LED in luminaire. Stated values are for select catalog numbers. Contact GlobaLux for detailed information.  
 Actual performance may differ as a result of end-user environment and application. All values are design or typical values, measured under laboratory conditions at 25 °C.

**COMPATIBLE JUNCTION BOXES**



4" PVC	4" Octagon	4" PVC Ceiling Box	3-1/2" Octagon	4" Round Pancake	4" Octagon / V Bracket
--------	------------	--------------------	----------------	------------------	------------------------