

PROJECT	NOTES	TYPE	DATE	CAT. No.
---------	-------	------	------	----------



DOE

Dual Optics Emergency Light

The DOE series includes two piece bright LED lamp heads. This attractive series is complemented with the ruggedness and simplicity of high impact totally universal thermoplastic ABS housing. Provides a minimum of 90 minutes of illumination for the rated wattage upon loss of AC power. Ideal for applications requiring attractive unit equipment with quick installation.



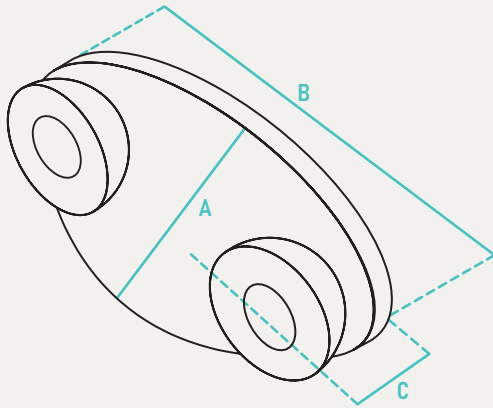
INPUT VOLTAGE	120-277V
INPUT FREQUENCY	50/60 Hz
RATED WATTAGE	0.88W
DELIVERED LUMENS	200
EFFICACY	100 LPW (typ.)
CRI	>70CRI
AVAILABLE CCT	6500K
LENS TYPE	N/A

RATED LIFE	30,000hrs (Based on 3hrs a Day)
L70	N/A
POWER FACTOR	>0.45
THD	N/A
DIMMING	N/A
OPERATING TEMP.	32°F - 113°F / 0°C to 104°C
BEAM ANGLE	120°

ORDER INFO / EXAMPLE: DOE-W

QUICK SHIP ITEMS ON PG.2

SERIES	HOUSING
DOE	W
DOE Dual Head Optics Emergency Light	W- White



PERFORMANCE DATA

FORM FACTOR	KELVIN	RATED WATTAGE	DELIVERED LUMENS	EFFICACY (LM/W)
DOE	6500K	0.88W	200	100

QUICK SHIP

DOE-W

ADDITIONAL IMAGES



COMPATIBLE JUNCTION BOXES



4" PVC

4" Octagon

4" PVC Ceiling Box



3-1/2" Octagon

4" Round Pancake

4" Octagon / V Bracket

	A	B	C	Case QTY
DOE	3.9" H	8.5" W	1.8" D	12

CONSTRUCTION

Injection molded, engineering grade 5VA flame retardant, high impact resistant thermoplastic

ELECTRICAL

Dual 120/277 voltage. Charge rate/power "ON" LED indicator light and push-to-test switch for mandated code compliance testing. 3.6 long-life, maintenance - free, rechargeable NiCad. Internal solid-state transfer switch automatically connects the internal battery to the LED lamp head for minimum 90-minute emergency illumination. Fully automatic solid-state, two-rate charger initiates battery charging to recharging a discharged battery in 24 hours.

QUALIFICATIONS

Meets UL924, NFPA 11 life safety Code, NEC, OSHA Local and State Codes. UL listed for damp locations (0°C - 40°C)

INSTALLATION

Universal J-Box mounting application.

WARRANTY

5-year Limited Warranty. See warranty documentation for more info.

Made to order items. Minimum 90 day lead time. Minimum order quantity may vary please contact sales.

¹ DLC Listed / ² DLC Premium Listed / ³ Title 24 / ⁴ JA8 & Title 24 / Typical color consistency. May vary or be changed.

L70 hours calculated based on LED package manufacturer LM80 report and ISTMT report of LED in luminaire. Stated values are for select catalog numbers. Contact GlobaLux for detailed information. / Actual performance may differ as a result of end-user environment and application. All values are design or typical values, measured under laboratory conditions at 25 °C.