

PROJECT	NOTES	TYPE	DATE	CAT. No.
---------	-------	------	------	----------



ECW

LED Economic Wraparound Fixture

The ECW Series redefines indoor lighting with energy-saving LED technology. Designed as a cost-effective replacement for traditional fluorescent wrap-around fixtures, it features a full-length radiused polystyrene lens and a sturdy one-piece fabricated steel body. Whether illuminating residential multi-family buildings, workshops, utility rooms, or corridors, these LED wraparound fixtures not only meet safety codes but also elevate aesthetics, brightening spaces efficiently and elegantly.



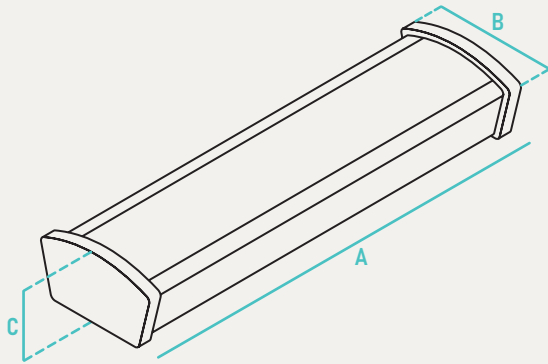
INPUT VOLTAGE	120V
INPUT FREQUENCY	50/60 Hz
RATED WATTAGE	See Performance Data
DELIVERED LUMENS	See Performance Data
EFFICACY	90 LPW (typ.)
CRI	80
AVAILABLE CCT	3000K, 3500K, 4000K
LENS TYPE	Plastic

RATED LIFE	30,000hrs (Based on 3hrs a Day)
L70	>50,000hrs
POWER FACTOR	>0.9
THD	<20%
DIMMING	N/A
OPERATING TEMP.	-4°F - 113°F / -20°C to 45°C
BEAM ANGLE	N/A

ORDER INFO / EXAMPLE: ECW-4-36-MV-MCT

QUICK SHIP ITEMS ON PG.2

SERIES	LENGTH	RATED WATTAGE	DRIVER TYPE	COLOR TEMP
ECW	4	36	MV	MCT
ECW LED Economic Wraparound	2-24" 4-48"	24" Housing 26- 26W, 2340 Lumens 48" Housing 36- 36W, 3240 Lumens	MV- 120-277V	MCT- 3000K, 3500K, 4000K CCT Selectable; 80CRI



PERFORMANCE DATA

FORM FACTOR	KELVIN	RATED WATTAGE	DELIVERED LUMENS	EFFICACY (LM/W)
24"	3K/35K/4K	26W	2340	90
48"	3K/35K/4K	36W	3240	90

QUICK SHIP

ECW-2-26-MV-MCT

ECW-4-36-MV-MCT

ADDITIONAL IMAGES



	A	B	C	Case QTY
24"	24" L	5.4" W	2.6" H	4
48"	48" L	5.4" W	2.6" H	4

CONSTRUCTION

Rugged construction, solid die formed, cold-rolled steel housing. All surfaces powder coated after fabrication. Frosted polystyrene diffusers provides even consistent light while reducing glare. Lens design and materials provide uniform appearance without pixelation.

ELECTRICAL

Equipped standard with fixed output driver. Long-life LED's 60,000 hours at L80 with projected life over 100,000 hours for reduced life cycle maintenance costs. CCT adjustable switch included.

QUALIFICATIONS

All luminaires are built to UL 1598 and 2108 standards, and bear appropriate ETL labels. Damp location labeling is standard. Emergency equipped fixtures labeled UL924. Adheres to LM70, LM80 and TM21 industry standards.

INSTALLATION

Suitable for surface mounting, suspension, or stem mounting, individually or in continuous.

WARRANTY

5-year Limited Warranty. See warranty documentation for more info.

COMPATIBLE JUNCTION BOXES



4" PVC

4" Octagon

4" PVC Ceiling Box

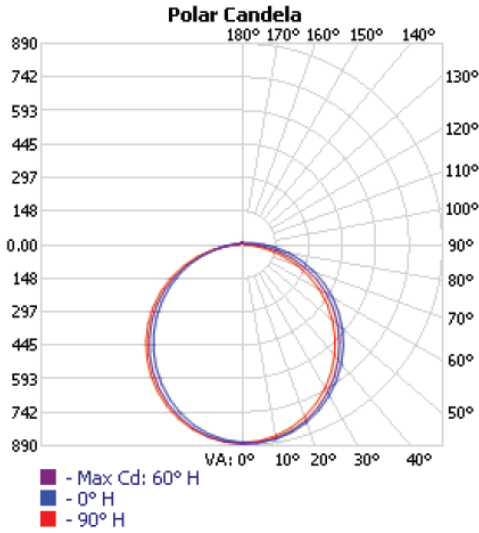
3-1/2" Octagon

4" Round Pancake

4" Octagon / V Bracket

PHOTOMETRIC DATA

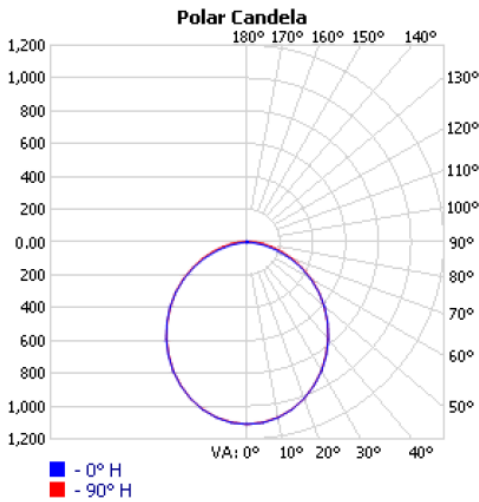
ECW-2-26-MV-MCT



Zonal Lumen Summary

Zone	Lumens	% Lamp	% Luminaire
0-30	681.0	24.6%	24.6%
0-40	1,117.4	40.4%	40.4%
0-60	2,000.1	72.4%	72.4%
60-90	669.2	24.2%	24.2%
70-100	363.8	13.2%	13.2%
90-120	64.1	2.3%	2.3%
0-90	2,669.3	96.6%	96.6%
90-180	94.2	3.4%	3.4%
0-180	2,763.5	100%	100%

ECW-4-36-MV-MCT



Zonal Lumen Summary

Zone	Lumens	% Lamp	% Luminaire
0-30	844.9	27.4%	27.5%
0-40	1,369.1	44.4%	44.5%
0-60	2,379.6	77.3%	77.3%
60-90	652.3	21.2%	21.2%
70-100	310.5	10.1%	10.1%
90-120	33.9	1.1%	1.1%
0-90	3,031.9	98.4%	98.5%
90-180	44.6	1.4%	1.5%
0-180	3,076.5	99.9%	100%

Made to order items. Minimum 90 day lead time. Minimum order quantity may vary please contact sales.

¹ DLC Listed / ² DLC Premium Listed / ³ Title 24 / ⁴ JA8 & Title 24 / Typical color consistency. May vary or be changed.

L70 hours calculated based on LED package manufacturer LM80 report and ISTMT report of LED in luminaire. Stated values are for select catalog numbers. Contact Globalux for detailed information. / Actual performance may differ as a result of end-user environment and application. All values are design or typical values, measured under laboratory conditions at 25 °C.