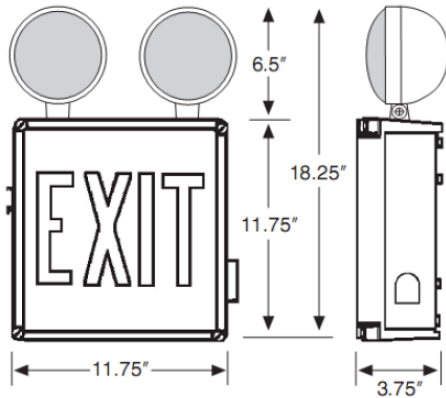


Ordering Information

Dimensions



Specification Features

Construction

5VA flame retardant, UV-stabilized polycarbonate gray finish. High-impact resistant, UV-stabilized polycarbonate clear lens. Knockouts provided for conduit feed applications. EZ snap-out Chevron directional indicators.

Qualifications

Meets UL924, NFPA 11 life safety Code, NEC, OSHA Local and State Codes. UL listed for wet locations (9° C - 40° C).

Warranty

5-year Limited Warranty on all electronics and housing.
Battery pro rated for 5 years.

Electrical

Dual 120/277 voltage. Charge rate/power "ON" LED indicator light and push-to-test switch for mandated code compliance testing. 4.8V long-life, maintenance - free, rechargeable NiCad battery. Internal solid-state transfer switch automatically connects the internal battery to the LED lamp head for minimum 90-minute emergency illumination. Fully automatic solid-state, two-rate charger initiates battery charging to recharge a discharged battery in 24 hours.

Installation



WXS Series

Black Finish
White Finish

Limited Warranty 5-years

Quick Ship

Made to order only

Ordering Information

Example: WXS-1-R-EM-WCXS

WXS	1	W	EM			
Series WXS - Wet Location Exit WCXS - Wet Location Exit/ Emergency Combo	Faces 1	Lettering R - Red G - Green	Battery EM - Battery Backup AC - AC Only EM - 90 minute battery			

Specifications and Dimensions subject to change without notice.