

PROJECT	NOTES	TYPE	DATE	CAT. No.
---------	-------	------	------	----------

TRK-GL



Track Light Fixture

The TRK Series Family of track light fixtures are offered in attractive brushed nickel or black finish options. The TRK Track lights are designed for superior directional lighting distribution without taking away from the interior design of any living space. Gimbal heads provides superior lighting for living spaces such as living rooms, bedrooms and more. Adjustable light heads will offer you more flexibility and will allow you to point the light in areas where you need it the most. This indoor light is rated for use in damp locations. Strategically designed using premium quality materials, this light provides a durable and long-lasting functionality to give your home the perfect illumination.

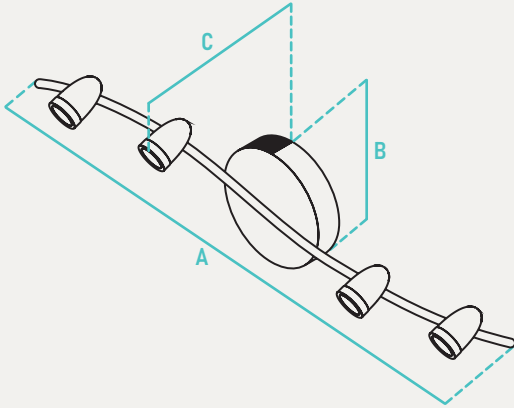


INPUT VOLTAGE	120V
INPUT FREQUENCY	60 Hz
RATED WATTAGE	See Performance Data
DELIVERED LUMENS	See Performance Data
EFFICACY	76.9 LPW
CRI	80CRI
AVAILABLE CCT	3000K
LENS TYPE	N/A

RATED LIFE	25,000hrs (Based on 3hrs a Day)
L70	N/A
POWER FACTOR	>0.7
THD	N/A
DIMMING	120V (10-100%)
OPERATING TEMP.	32°F - 104°F / 0°C to 40°C
BEAM ANGLE	120°

ORDER INFO / EXAMPLE: TRK-GL-4-26-120D-BN

SERIES	SHADE	FORM FACTOR	RATED WATTAGE	DRIVER TYPE	FINISH
TRK	GL	4	26	120D	BN
TRK Track Light Fixture	GL- Glass	4- 4Light 34" Length	4 Light Housing 26- 4x6.5W LED GU10 Lamps, 500 Lumens	120D- 120V, Dimmable	BL- Black BN- Brushed Nickel



PERFORMANCE DATA

FORM FACTOR	KELVIN	RATED WATTAGE	DELIVERED LUMENS	EFFICACY (LM/W)
4 Light	3000K	26W	2000	76.9

QUICK SHIP

TRK-GL-4-26-120D-BN

ADDITIONAL IMAGES



CONSTRUCTION

Curved aluminum frame. Each of the track heads is mounted on a swivel to allow them to be moved and adjusted for customized, directional lighting.

ELECTRICAL

LED models equipped standard with 120V, 10-100% fixed output driver operating at 60Hz.

QUALIFICATIONS

All luminaires are built to UL 1598 and 2108 standards, and bear appropriate ETL labels. Wet location labeling is standard. Emergency equipped fixtures labeled UL924. Adheres to LM70, LM80 and TM21 industry standards. Dedicated 120V Models are FCC Title 47 CFR, Part 15, Class B for residential and commercial applications.

INSTALLATION

Designed for ceiling mounting on 4" electrical J-Box.

WARRANTY

3-year Limited Warranty. See warranty documentation for more info.

RECOMMENDED DIMMERS

DVCL-153P (Lutron)

Made to order items. Minimum 90 day lead time.
 Minimum order quantity may vary please contact sales.
¹ DLC Listed / ² DLC Premium Listed / ³ Title 24 / ⁴ JA8 & Title 24
 Typical color consistency. May vary or be changed. L70 hours calculated based on LED package manufacturer LM80 report and ISTMT report of LED in luminaire. Stated values are for select catalog numbers. Contact GlobaLux for detailed information.
 Actual performance may differ as a result of end-user environment and application. All values are design or typical values, measured under laboratory conditions at 25 °C.

COMPATIBLE JUNCTION BOXES



4" PVC



4" Octagon



4" PVC Ceiling Box



3-1/2" Octagon



4" Round Pancake



4" Octagon / V Bracket