

### Emergency Battery Backup 16W



## Introduction

### Introduction

Emergency operation of your lighting is a simple decision with battery back-ups from Globalux Lighting. Adding self-diagnostics, wireless reporting or just increasing to a high lumen output unit, only takes a matter of seconds. Batteries fit in the tightest of applications, including low-profile lensed troffers, downlighting and industrial lighting fixtures. They also feature an innovative Quick-Disconnect wiring harness that makes field maintenance and upgrades quick and easy.

### Features:

- Type 1 Outdoor, Suitable for Dry and Damp Locations
- Evaluated to UL 924
- Class 2 Standards FCC Part 15 Class B
- Drives LED load at 16W for a minimum of 90 minutes
- Batter Backup with separate driver included
- Operating temperature -25 - +55°C
- Test switch/charging indicator light
- Battery pack with quick connect: NiCd

### Specifications and Wiring Diagrams

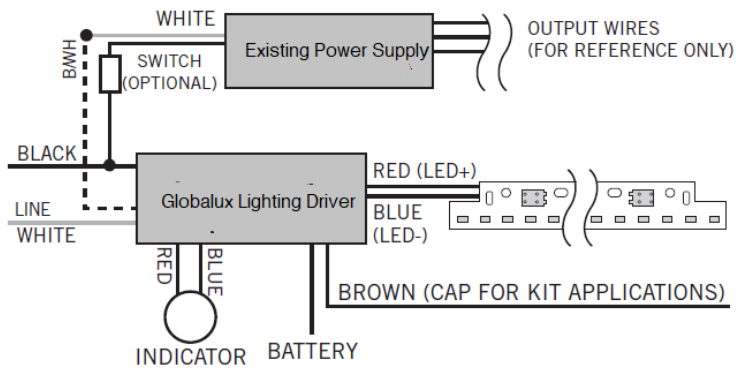
#### Dimensions

#### EML16 Mechanical Specification

Rated Voltage (V)	34V
Rated Current (mA)	31-35mA
Current Range (mA)	120mA
Rated Power (W)	100-120W
CRI (Ra)	>80
SDCM:	3
Lifetime (L70)	50,000 Hours
Beam Angle	120°
Operating Temp	-25- +55°C
Storage Temp	-40- +65°C
Operating Humidity	10-95% RH
IP Rating	10-95%
Max No load Volatage	42V SCP, OTP, OVP

#### Wiring Diagram

##### With Existing Power Supply



##### With Direct Drive LED Tube Fixture

