

PROJECT	NOTES	TYPE	DATE	CAT. No.
---------	-------	------	------	----------

ECF

52" Dual Mount Ceiling Fan

The ECF series are a family of dual mount ceiling fans featuring a simple 3 blade design. The clean lines and modern design of this AC Motor LED fan makes an elegant addition to your contemporary home décor. The reversible feature makes this fan perfect to use during every season.

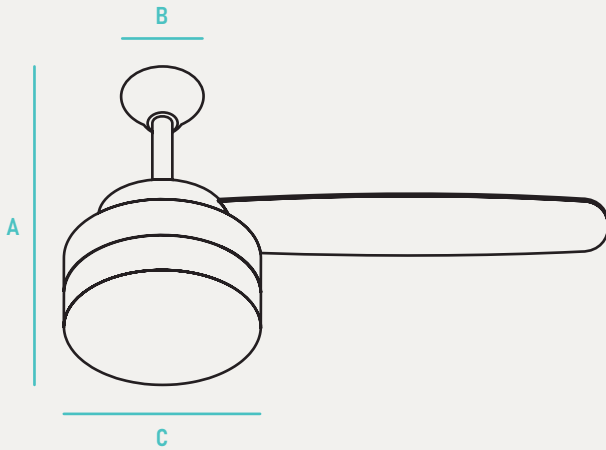
FINISH OPTIONS ON PAGE 2



INPUT VOLTAGE	120V	COLOR CONSISTENCY	5-Step MacAdams Ellipse
INPUT FREQUENCY	50/60 Hz	RATED LIFE	15,000hrs (Based on 3hrs a Day)
RATED WATTAGE	2-9W LED Bulbs	L70	N/A
DELIVERED LUMENS	650	POWER FACTOR	N/A
EFFICACY	72 LPW (typ.)	THD	N/A
CRI	80	DIMMING	N/A
AVAILABLE CCT	3000K	OPERATING TEMP.	-0.4°F - 104°F / -18°C to 40°C
FAN DIAMETER	52"	RPM (H/M/L)	190 / 145 / 88
MOTOR LEAD LENGTHS	80"	AIRFLOW EFFICIENCY (CFM/W)	109
MOTOR SIZE	AC 170mm x 12mm	AIRFLOW (CFM)	High Speed: 5,215
ELECTRICITY USE (H/M/L)	54.81W / 29.5W / 12.01W	AVERAGE AIRFLOW CFMave	3790
AMPS (H/M/L)	0.45 / 0.35 / 0.22	BEAM ANGLE	N/A
LENS TYPE	White Glass		

ORDER INFO / EXAMPLE: ECF-52-3-2MB-120-830-BN-SL-PC

SERIES	SIZE	FAN BLADE	LIGHT SOURCE	DRIVER TYPE	COLOR TEMP	FINISH	BLADE COLOR	ACCESSORY
ECF	52	3	2MB	120	830	BN	SL	PC
ECF Dual Mount Ceiling Fan	52- 52" Sweep	3- 3 Blades	2MB- 2 Medium Base Socket (2) 9W 650 Lumen Lamps	120- 120V	830- 3000K, 80CRI	BN- Brushed Nickel WH- White BL- Black	SL- Silver WH- White BL- Black	PC- Pull Chain WC- Wall Control



QUICK SHIP

ECF-52-3-2MB-120D-830-BL-BL-PC

ECF-52-3-2MB-120D-830-BN-SL-PC

ADDITIONAL IMAGES



	A	B	C	Case QTY
ECF	14.57"	5.90"	0"	1

CONSTRUCTION

Steel Housing, MDF Blades and Frosted Glass Light Diffuser provides uniform appearance without pixelation.

MOTOR

3-Speed AC Motor with 80" Lead Wire and Dual Mount feature. Includes (1) 5" Downrod.

QUALIFICATIONS

All ceiling fans are built to UL 507 standards, and bear appropriate ETL labels. Dry location labeling is standard.

BLADES

52" Sweep, 3, Blade Pitch Angle:10.5°

ELECTRICAL

Operates at 120V 60HZ. Optional Remote Control (Sold Separately). Optional Wall Control (Sold Separately).

WARRANTY

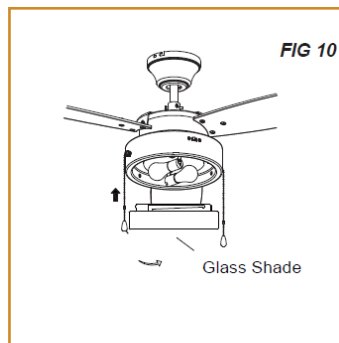
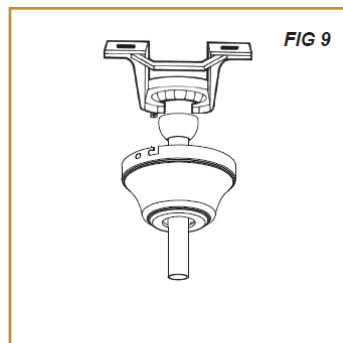
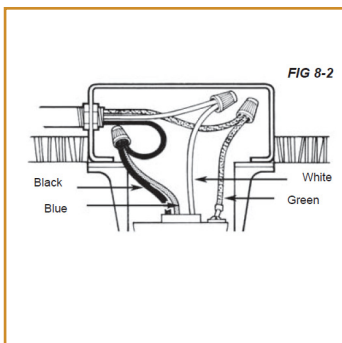
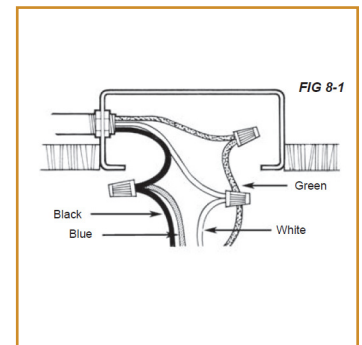
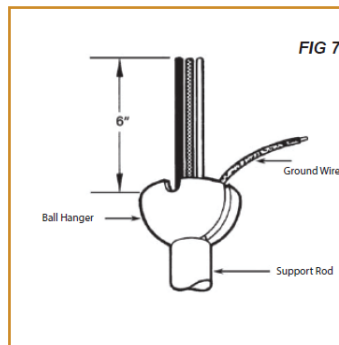
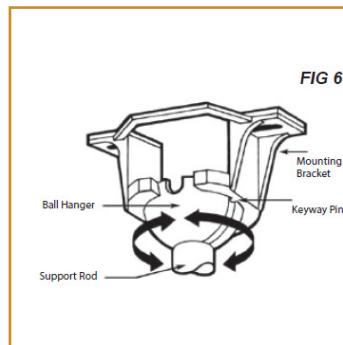
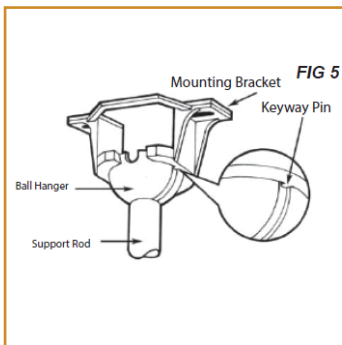
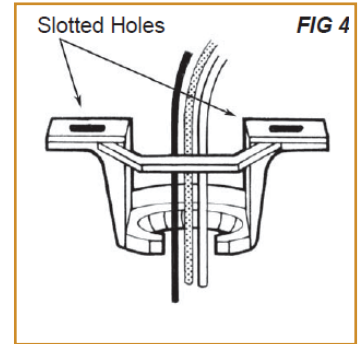
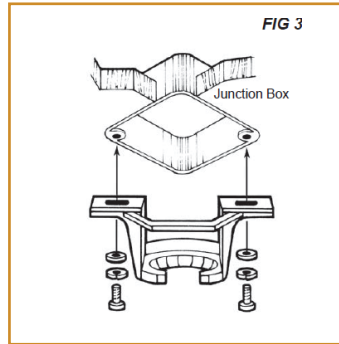
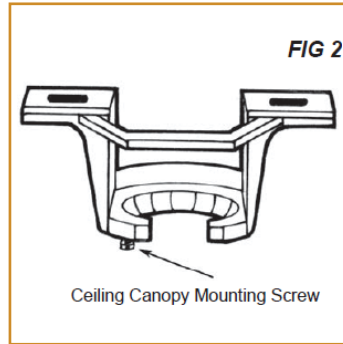
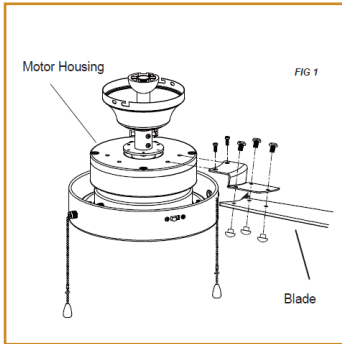
Light Source: 3-year limited warranty. Motor: Limited Lifetime Warranty. Non-Electrical 1 Year Limited Warranty. See complete warranty for terms and exclusions. (Labor not included).

COMPATIBLE JUNCTION BOXES



4" PVC Ceiling Box

INSTALLATION INSTRUCTIONS



Made to order items. Minimum 90 day lead time. Minimum order quantity may vary please contact sales.

¹ DLC Listed / ² DLC Premium Listed / ³ Title 24 / ⁴ JA8 & Title 24 / Typical color consistency. May vary or be changed.

L70 hours calculated based on LED package manufacturer LM80 report and ISTMT report of LED in luminaire. Stated values are for select catalog numbers. Contact Globalux for detailed information. / Actual performance may differ as a result of end-user environment and application. All values are design or typical values, measured under laboratory conditions at 25 °C.