

PROJECT	NOTES	TYPE	DATE	CAT. No.
---------	-------	------	------	----------



# LIS

## LED Indoor Wall Sconce

The LIS Series is a modern wall sconce featuring cutting-edge LED technology. Designed to provide accent illumination, it visually enlarges the space and creates a soothing ambience. With its long-lasting LEDs and excellent color rendering, this fixture is perfect for both new installations and retrofits. Ideal for hallways, stairways, dining areas, foyers, and meeting rooms in residential and commercial settings

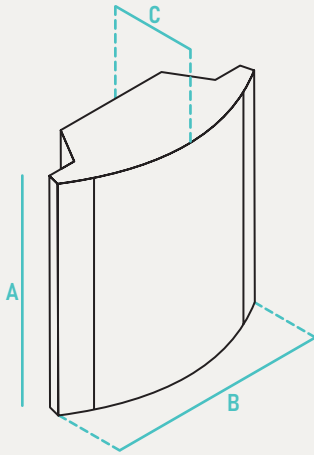


INPUT VOLTAGE	120V
INPUT FREQUENCY	60 Hz
RATED WATTAGE	See Performance Data
DELIVERED LUMENS	See Performance Data
EFFICACY	60 LPW (typ.)
CRI	90CRI
AVAILABLE CCT	3000K, 3500K, 4000K
LENS TYPE	Glass

RATED LIFE	30,000hrs (Based on 3hrs a Day)
L70	>50,000hrs
POWER FACTOR	>0.9
THD	N/A
DIMMING	N/A
OPERATING TEMP.	-4°F - 113°F / -20°C to 45°C
BEAM ANGLE	N/A

### ORDER INFO / EXAMPLE: LIS-17-120-MCT-BN

SERIES	RATED WATTAGE	DRIVER TYPE	COLOR TEMP	FINISH
LIS	17	120	MCT	BN
LIS LED Indoor Wall Sconce	17- 17W, 1020 Lumens	120- 120V	MCT- 3000K, 3500K, 4000K CCT Selectable Switch, 80+ CRI	BN- Brushed Nickel



## PERFORMANCE DATA

FORM FACTOR	KELVIN	RATED WATTAGE	DELIVERED LUMENS	EFFICACY (LM/W)
LIS	3K/35K/4K	17W	1020	60

## QUICK SHIP

LIS-17-120-MCT-BN

## ADDITIONAL IMAGES



## RECOMMENDED DIMMERS

DVCL-153P (Lutron)

	A	B	C	Case QTY
LIS	10" H	9" W"	3.6" E	4

### CONSTRUCTION

Curved white lens with die-cast aluminum plate trim.

### ELECTRICAL

Equipped standard with 120V, 10-100% dimming driver.

### QUALIFICATIONS

All luminaires are built to UL 1598 and 2108 standards, and bear appropriate ETL labels. Damp location labeling is standard. Emergency equipped fixtures labeled UL924. Suitable for closets according to NEC Section 410.8 & 410.16. Adheres to LM70, LM80 and TM21 industry standards. Dedicated 120V Models are FCC Title 47 CFR, Part 15, Class B for residential and commercial applications.

### INSTALLATION

Designed for mounting on 4" electrical J-Box.

### WARRANTY

3-year Limited Warranty. See warranty documentation for more info.

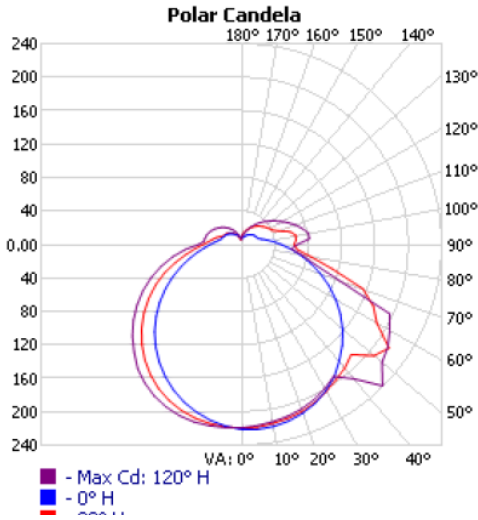
## COMPATIBLE JUNCTION BOXES



4" PVC	4" Octagon	4" PVC Ceiling Box	3-1/2" Octagon	4" Round Pancake	4" Octagon / V Bracket
--------	------------	--------------------	----------------	------------------	------------------------

## PHOTOMETRIC DATA

LIS-17-120-MCT-BN



### Zonal Lumen Summary

Zone	Lumens	% Lamp	% Luminaire
0-30	175.3	17.4%	17.4%
0-40	293.0	29.1%	29.1%
0-60	562.5	55.9%	55.9%
60-90	270.5	26.9%	26.9%
70-100	197.9	19.7%	19.7%
90-120	113.4	11.3%	11.3%
0-90	833.1	82.8%	82.7%
90-180	173.7	17.3%	17.3%
0-180	1,006.8	100.1%	100%

Made to order items. Minimum 90 day lead time. Minimum order quantity may vary please contact sales.

<sup>1</sup> DLC Listed / <sup>2</sup> DLC Premium Listed / <sup>3</sup> Title 24 / <sup>4</sup> JA8 & Title 24 / Typical color consistency. May vary or be changed.

L70 hours calculated based on LED package manufacturer LM80 report and ISTMT report of LED in luminaire. Stated values are for select catalog numbers. Contact GlobalLux for detailed information. / Actual performance may differ as a result of end-user environment and application. All values are design or typical values, measured under laboratory conditions at 25 °C.