

PROJECT	NOTES	TYPE	DATE	CAT. No.
---------	-------	------	------	----------



LVTS2

CCT Adjustable Vaportight LED Strip

The LVTS2 series is a next generation LED Vapor Tight fixture that provides maximum light output with durable construction. It is ideal for featuring a one piece polycarbonate housing and lens. The LVTS2 was designed to meet or exceed IES recommended foot-candle levels at installed heights for parking garages. Ideal for utility lighting, parking garages and stairwells; where meeting applicable building and safety codes is required.



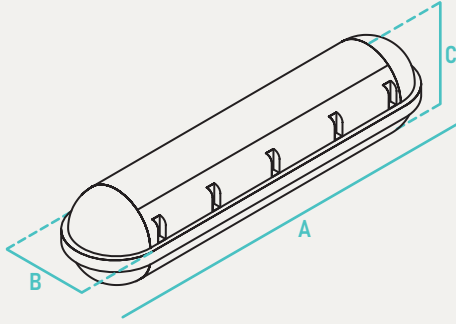
INPUT VOLTAGE	120-277V
INPUT FREQUENCY	50/60 Hz
RATED WATTAGE	See Performance Data
DELIVERED LUMENS	See Performance Data
EFFICACY	90 LPW (typ.)
CRI	80
AVAILABLE CCT	3000K, 4000K, 5000K
LENS TYPE	Plastic

RATED LIFE	50,000hrs (Based on 3hrs a Day)
L70	>50,000hrs
POWER FACTOR	>0.9
THD	<2.3%
DIMMING	0-10V Continuous (10-100%)
OPERATING TEMP.	-4°F - 113°F / -20°C to 45°C
BEAM ANGLE	N/A

ORDER INFO / EXAMPLE: LVTS2-45-MVD-MCT

QUICK SHIP ITEMS ON PG.2

SERIES	RATED WATTAGE	DRIVER TYPE	COLOR TEMP
LVTS2	45	MVD	MCT
LVTS2 CCT Adjustable Vaportight LED Strip	48" Housing 34- 34W, 3060 Lumens 45- 45W, 4050 Lumens	MV- 120-277V MVD- 120-277V; 0-10V Dimming HVD- 347-480V; 0-10V Dimming HV- 347-480V	MCT- 3000K, 4000K, 5000K CCT Selectable; 80+CRI
OPTIONS / ACCESSORIES			
		Emergency Backup EML-16- 1600lm Accessories FW3- 6' 3 Wire Fixture Whip FW4- 6' 4 Wire Fixture Whip	Controls OS- Fixture Mounted Occupancy Sensor, On/Off MOSB- Integral Bi-Level Microwave Sensor MOSB-FM- Microwave Bi-Level Sensor Fixture Mount



	A	B	C	Case QTY
LVTS2	48" L	3.7" W	3.2" H	4

CONSTRUCTION

UV stabilized, injection molded, impact resistant, polycarbonate housing. 20 gauge steel channel cover, lens design and materials provide uniform appearance without pixelation.

ELECTRICAL

Equipped standard with 0-10V continuous dimming driver that works with any standard 0-10V control/dimmer. Long-Life LED's 60,000 hours at L80 with projected life over 100,000 hours for reduced life cycle maintenance costs Luminaire can be ceiling or suspend mounted. Power connection is easily accommodated through pre-drilled holes at each end, watertight plugs ship standard on each end.

QUALIFICATIONS

All luminaires are built to UL 1598 and 2108 standards, and bear appropriate ETL labels. Wet location labeling is standard. Emergency equipped fixtures labeled UL924. Adheres to LM70, LM80, and TM21 industry standards.

OPTIONS

Optional On/Off Motion Sensor, high voltage transformer, emergency battery backups, whips and cords.

INSTALLATION

Quick mounting clips included. Suitable for suspension or surface mounting.

WARRANTY

5-year Limited Warranty. See warranty documentation for more info.

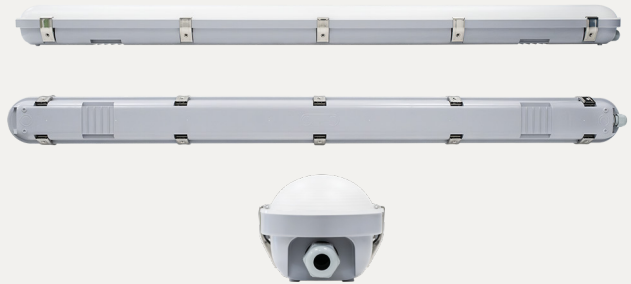
PERFORMANCE DATA

FORM FACTOR	KELVIN	RATED WATTAGE	DELIVERED LUMENS	EFFICACY (LM/W)
48"	3K/4K/5K	34W	3060	90
48"	3K/4K/5K	45W	4050	90

QUICK SHIP

LVTS2-34-MVD-MCT	LVTS2-45-MVD-MCT
------------------	------------------

ADDITIONAL IMAGES

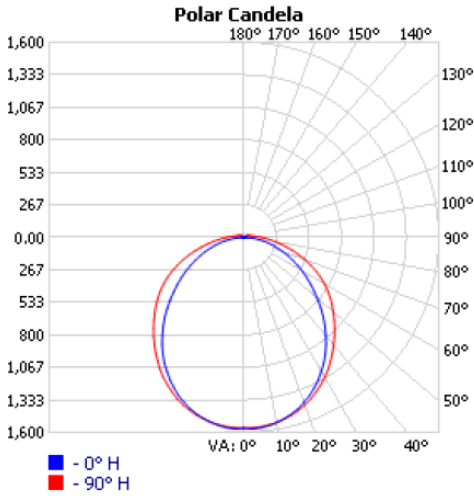


RECOMMENDED DIMMERS

WBSD-010DEC (Cooper)	WBSD-010SLD (Cooper)
DF10P (Cooper)	

PHOTOMETRIC DATA

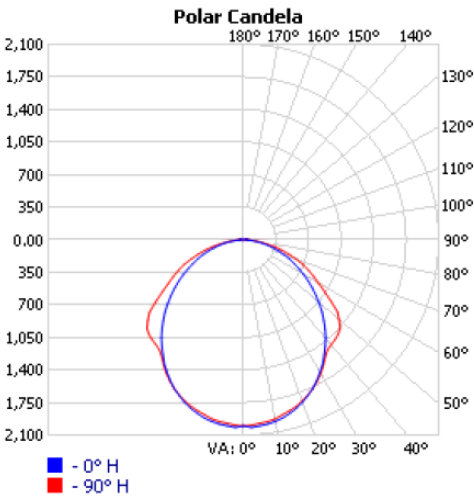
LVTS2-34-MVD-MCT



Zonal Lumen Summary

Zone	Lumens	% Luminaire
0-30	1,208.1	25.7%
0-40	1,961.3	41.7%
0-60	3,420.4	72.8%
60-90	1,113.6	23.7%
70-100	638.6	13.6%
90-120	145.5	3.1%
0-90	4,534.0	96.5%
90-180	166.3	3.5%
0-180	4,700.3	100%

LVTS2-45-MVD-MCT



Zonal Lumen Summary

Zone	Lumens	% Luminaire
0-30	1,535.0	26.1%
0-40	2,489.1	42.3%
0-60	4,462.2	75.9%
60-90	1,340.5	22.8%
70-100	648.6	11%
90-120	77.8	1.3%
0-90	5,802.7	98.7%
90-180	77.8	1.3%
0-180	5,880.5	100%

Made to order items. Minimum 90 day lead time. Minimum order quantity may vary please contact sales.

¹ DLC Listed / ² DLC Premium Listed / ³ Title 24 / ⁴ JA8 & Title 24 / Typical color consistency. May vary or be changed.

L70 hours calculated based on LED package manufacturer LM80 report and ISTMT report of LED in luminaire. Stated values are for select catalog numbers. Contact Globalux for detailed information. / Actual performance may differ as a result of end-user environment and application. All values are design or typical values, measured under laboratory conditions at 25 °C.