

PROJECT	NOTES	TYPE	DATE	CAT. No.
---------	-------	------	------	----------



SVL

Square Vanity Light

The SVL Bathroom Vanity Light combines grace and contemporary design, making it a versatile choice for various interior styles. Its square soft white glass shades exudes elegance, while the sleek metal components add a modern touch. Available in a variety of finishes and sizes, this fixture can be installed facing up or down, providing both functionality and aesthetics.



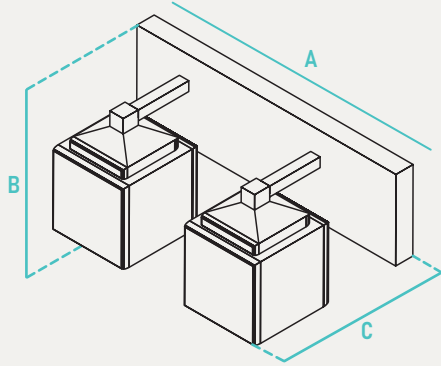
INPUT VOLTAGE	120V
INPUT FREQUENCY	60 Hz
RATED WATTAGE	See Performance Data
DELIVERED LUMENS	See Performance Data
EFFICACY	See Performance Data
CRI	80CRI (LED Models)
AVAILABLE CCT	3000K
LENS TYPE	Glass

RATED LIFE	20,000hrs (Based on 3hrs a Day)
L70	>50,000hrs
POWER FACTOR	>0.9
THD	N/A
DIMMING	120V Dimming (10-100%)
OPERATING TEMP.	-4°F - 113°F / -20°C to 45°C
BEAM ANGLE	N/A

ORDER INFO / EXAMPLE: SVL-3-24-120D-830-BN

QUICK SHIP ITEMS ON PG.2

SERIES	FORM FACTOR	LAMP CONFIGURATION	DRIVER TYPE	COLOR TEMP	FINISH
SVL	3	24	120D	830	BN
SVL Square Vanity Light	1- 1 Light 2- 2 Light 3- 3 Light 4- 4 Light	MB- E26 Medium Socket 1 Light 8- 1x8W LED, 560 Lumens 2 Light 16- 2x8W LED, 1120 Lumens 3 Light 24- 3x8W LED, 1680 Lumens 4 Light 32- 4x8W LED, 2240 Lumens	120D- 120V Dimmable	BLANK- Blank for MB Configuration LED Only 830- 3000K, 80+CRI	BN- Brushed Nickel BL- Black

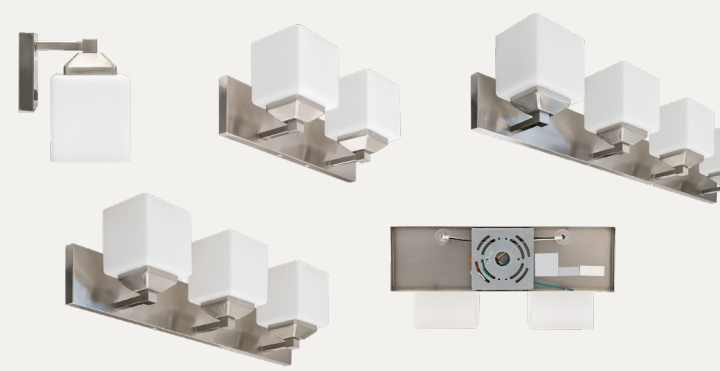


PERFORMANCE DATA

FORM FACTOR	KELVIN	RATED WATTAGE	DELIVERED LUMENS	EFFICACY (L·M/W)
1 Light	3000K	8W	560	70
2 Light	3000K	16W	1120	70
3 Light	3000K	24W	1680	70
4 Light	3000K	32W	2240	70

QUICK SHIP	
SLV-3-24-120D-830-BN	SLV-4-32-120D-830-BN

ADDITIONAL IMAGES



Made to order items. Minimum 90 day lead time.
 Minimum order quantity may vary please contact sales.
¹ DLC Listed / ² DLC Premium Listed / ³ Title 24 / ⁴ JA8 & Title 24
 Typical color consistency. May vary or be changed. L70 hours calculated based on LED package manufacturer LM80 report and ISTMT report of LED in luminaire. Stated values are for select catalog numbers. Contact Globalux for detailed information.
 Actual performance may differ as a result of end-user environment and application. All values are design or typical values, measured under laboratory conditions at 25 °C.

	A	B	C	Case QTY
SVL-1	4.5" W	7" H	6" D	N/A
SVL-2	15" W	7" H	6" D	N/A
SVL-3	24" W	7" H	6" D	1
SVL-4	30" W	7" H	6" D	1

CONSTRUCTION

White Glass shades surround a elongated aluminum bar and mounting plate. Lens design and materials provide uniform appearance without pixelation.

ELECTRICAL

Equipped standard with 120-277V fixed output driver oprating at 60Hz.

QUALIFICATIONS

All luminaires are built to UL 1598 and 2108 standards, and bear appropriate ETL labels. Damp location labeling is standard. Emergency equipped fixtures labeled UL924. Suitable for closets according to NEC Section 410.8 & 410.16. Adheres to LM70, LM80 and TM21 industry standards. Dedicated 120V Models are FCC Title 47 CFR, Part 15, Class B for residential and commercial applications.

INSTALLATION

Designed for wall mounting on 4" electrical J-Box.

WARRANTY

3-year Limited Warranty. See warranty documentation for more info.

RECOMMENDED DIMMERS

DVCL-153P (Lutron)

COMPATIBLE JUNCTION BOXES



4" PVC	4" Octagon	4" PVC Ceiling Box	3-1/2" Octagon	4" Round Pancake	4" Octagon / V Bracket
--------	------------	--------------------	----------------	------------------	------------------------