

SAFETY INSTRUCTIONS

PLEASE READ THESE INSTRUCTIONS CAREFULLY AND SAVE THEM, AS YOU MAY NEED THEM AT A LATER DATE.

- 1. WARNING:** Failure to install and wire fixture in accordance with the National Electrical Codes (NEC), all applicable Federal, State and Local electrical codes, as well as Specific U.L. safety standards for the intended working environment (location/application) may cause serious personal injury, death and/or property damage. This product must be installed by a person familiar with the construction and operation of the product and the hazards involved.
- 2. CAUTION: TURN OFF POWER FROM THE MAIN CIRCUIT BEFORE INSTALLING FIXTURE.** Make sure fixture is grounded per National Electrical Codes (NEC).
3. This fixture is designed for use in a 120VAC, 60Hz fused circuit. This fixture is not compatible with dimming circuits.
4. **Caution:** These fixtures are intended to be mounted to a metal outlet box. The box must be directly supported by the building structure. This fixture is suitable for damp and dry location. This is not a wet location fixture
Important Note: The safeguards and instructions appearing in this page, are not meant to cover all possible conditions and situations that may occur. It may be understood that common sense, cautions and care are factors, which cannot be built into any product. The person(s) installing, operation and responsible for the light fixture, must execute these factors.
- 5. Warning:** For use on 120V 60Hz circuits only. Risk of fire and electrical shock. Most dwellings built before 1985 have supply wires rated 60 degrees C. Consult a qualified electrician before installing. If supply wires are located within 3 inches to the ballast use wires rated at least 90 degrees C.

NEEDED TOOLS

- Safety Glasses
- Ruler/Tape Measure
- Flat Blade Screwdriver
- Phillips Screwdriver
- Adjustable Wrench
- Drill
- 3/16" Drill Bit
- 3/32" Drill Bit
- Pliers

ASSEMBLY INSTRUCTIONS

Step 1 – Preparing for installation

- A. Disconnect electrical power at fuse or circuit breaker box before installing or servicing any part of this fixture.
- B. Carefully remove the fixture from the carton, remove components from hardware kit.
- C. Remove the diffuser (6) from the fixture (4) by sliding it up and out of the fixture.
- D. Remove the mounting bracket (1) from the fixture (4) by removing two finials (5).
- E. Install the mounting bracket (1) to the junction box (not provided) by tighten two screws (2) to secure it.

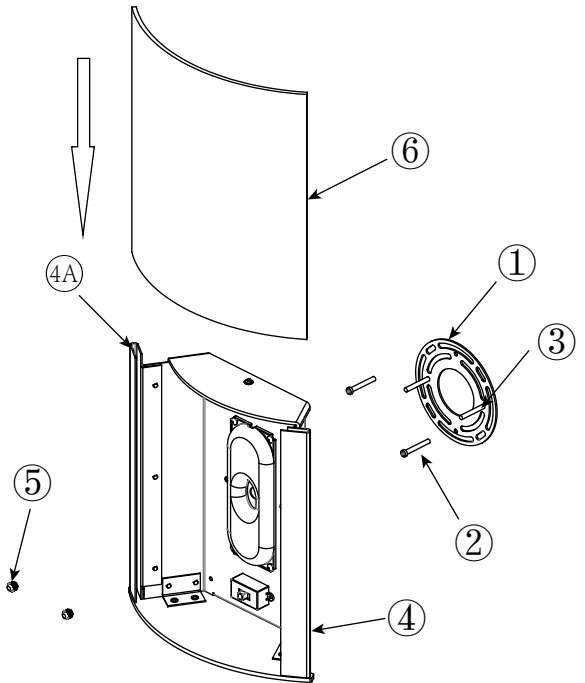
Wiring – All wiring must take place inside junction box (not included)

Caution: Make sure power is off at fuse or circuit breaker box. Check power wires for damage or scrapes. If power supply wires are within three inches of the LED driver, use wire suitable for at least 90°C (194°F).

Note: Most dwellings built before 1985 have supply wire rated to 60°C. Consult a qualified electrician to ensure correct branch circuit conductor before installing.

Step 2 – Wiring fixture

- A. Make all wire connections to appropriate wire. Secure with wire nuts (provided).
- B. Connect the green wire from the fixture to the supply power source ground wire.
- C. Connect the black wire from the fixture to the black (L) wire from supply power source.
- D. Connect the white wire from the fixture to the white (N) wire from supply power source.
- E. **Do not mix wires.** Pull on each wire lead to make sure connections are secure. Make certain no bare wires are exposed outside of wire connectors. Tuck all connections neatly into the junction box.



Step 3 – Mounting

- A. Install the fixture (4) over the mounting bracket (1) by aligning two hole on the fixture to two screws (3) then tighten two finials (5) to secure it.

Step 4 – Diffuser

- A. Install the glass diffuser (6) onto the fixture (4) by sliding it down gently on both grooves (4A) starting from top until it is resting on the bottom support.

Step 5 – Restore power at fuse or circuit breaker box

IMPORTANT SAFE PRACTICES

Color Changing Temperature Adjustment, CCT (if desired).

- 1. Adjust CCT switches on each board accordingly to the desired color temperature as seen below. All boards must be set the same way.

Note: Fixture is preset to 3000K from factory. Power to fixture must always be turned OFF prior to adjusting CCT switches.

COLOR TEMPERATURE ADJUSTMENT SETTING

