

PROJECT	NOTES	TYPE	DATE	CAT. No.
---------	-------	------	------	----------



AWP

Architectural Wall Pack

The AWP LED wall pack integrates cutting-edge LEDs with a robust, weather-resistant aluminum housing. Designed for both aesthetics and functionality, this luminaire delivers uniform illumination through its frosted white high-impact diffuser. Whether illuminating corridors, patios, or outdoor spaces, the AWP ensures reliable performance and a sleek architectural look. Illuminate your environment with confidence using the AWP LED wall pack.



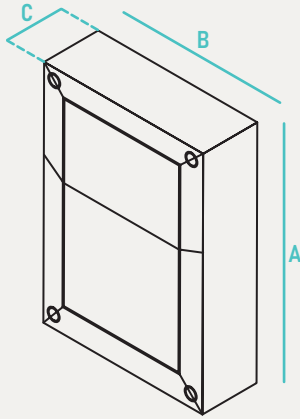
INPUT VOLTAGE	120V
INPUT FREQUENCY	60 Hz
RATED WATTAGE	9W
DELIVERED LUMENS	360
EFFICACY	40 LPW (typ.)
CRI	80
AVAILABLE CCT	3000K
LENS TYPE	Plastic

RATED LIFE	50,000hrs (Based on 3hrs a Day)
L70	>50,000hrs
POWER FACTOR	>0.9
THD	N/A
DIMMING	N/A
OPERATING TEMP.	-4°F - 113°F / -20°C to 45°C
BEAM ANGLE	N/A

ORDER INFO / EXAMPLE: AWP-9-120-830-BL

QUICK SHIP ITEMS ON PG.2

SERIES	RATED WATTAGE	DRIVER TYPE	COLOR TEMP	FINISH
AWP	9	120	830	BL
AWP Architectural Wall Pack	9- 9W, 360 Lumens	120- 120V	830- 3000K, 80CRI	BL- Black



PERFORMANCE DATA

FORM FACTOR	KELVIN	RATED WATTAGE	DELIVERED LUMENS	EFFICACY (LM/W)
9W	3000K	9W	360	40

QUICK SHIP

AWP-9-120-830-BL

ADDITIONAL IMAGES



	A	B	C	Case QTY
AWP	8.6" H	5.3" W	2.5" E	N/A

CONSTRUCTION

Rugged die cast aluminum housing withstands outdoor environments. Outer surface treated with durable power coating to provide resistant to corrosion, rust, weathering, and or degradation. Performance engineered internal heat dissipation provide superior thermal management for LED life and reliability.

ELECTRICAL

Equipped standard with 120V fixed output driver operating at 60HZ.

QUALIFICATIONS

All luminaires are built to UL 1598 and 2108 standards, and bear appropriate ETL labels. Wet location labeling is standard. Emergency equipped fixtures labeled UL924. Adheres to LM70, LM80, and TM21 industry standards.

INSTALLATION

Designed for mounting on 4" electrical J-Box.

WARRANTY

5-year Limited Warranty. See warranty documentation for more info.

COMPATIBLE JUNCTION BOXES



4" PVC



4" Octagon



4" PVC Ceiling Box



3-1/2" Octagon



4" Round Pancake

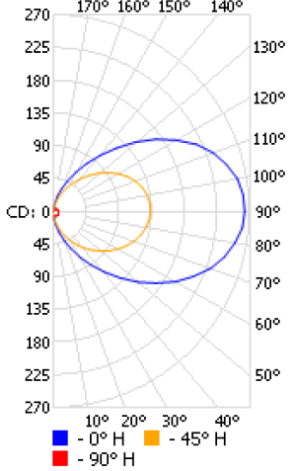


4" Octagon / V Bracket

PHOTOMETRIC DATA

AWP-9-120-830-BL

Polar Candela Distribution



Zonal Lumen Summary

Zone	Lumens	% Lamp	% Luminaire
0-30	13.6	2.3%	2.3%
0-40	35.3	6%	6%
0-60	108.4	18.3%	18.3%
60-90	194.9	32.9%	32.9%
70-100	212.8	36%	35.9%
90-120	196.1	33.1%	33.1%
0-90	303.3	51.2%	51.2%
90-180	289.1	48.8%	48.8%
0-180	592.4	100.1%	100%

Coefficients Of Utilization - Zonal Cavity Method

		Effective Floor Cavity Reflectance: 20%																							
RCC %:		80				70				50				30				10				0			
RW %:		70	50	30	0	70	50	30	0	50	30	20	50	30	20	50	30	20	50	30	20	0			
RCCR:	0	1.08	1.08	1.08	1.08	.99	.99	.99	.51	.84	.84	.84	.70	.70	.70	.57	.57	.57	.51	.51	.51	.51			
	1	.92	.85	.79	.73	.84	.78	.72	.31	.64	.60	.56	.52	.49	.46	.41	.38	.36	.30	.29	.26	.21			
	2	.81	.71	.62	.55	.74	.65	.57	.22	.53	.47	.42	.42	.38	.33	.32	.29	.26	.21	.21	.19	.15			
	3	.73	.60	.51	.43	.66	.55	.46	.16	.45	.38	.32	.35	.30	.26	.27	.23	.19	.15	.15	.13	.11			
	4	.66	.52	.42	.35	.59	.47	.39	.12	.39	.32	.26	.30	.25	.20	.23	.19	.15	.11	.11	.09	.07			
	5	.60	.46	.36	.28	.54	.42	.33	.10	.34	.27	.21	.27	.21	.17	.20	.16	.12	.09	.09	.07	.05			
	6	.55	.40	.31	.24	.49	.37	.28	.08	.30	.23	.18	.24	.18	.14	.18	.13	.10	.07	.07	.05	.04			
	7	.50	.36	.27	.20	.45	.33	.24	.07	.27	.20	.15	.21	.16	.12	.16	.12	.08	.05	.05	.04	.03			
	8	.46	.32	.24	.17	.42	.30	.22	.06	.24	.18	.13	.19	.14	.10	.14	.10	.07	.04	.04	.03	.02			
	9	.43	.29	.21	.15	.39	.27	.19	.05	.22	.16	.11	.17	.12	.09	.13	.09	.06	.03	.03	.02	.01			
	10	.40	.27	.19	.13	.36	.24	.17	.04	.20	.14	.10	.16	.11	.08	.12	.08	.05	.02	.02	.01	.01			

Made to order items. Minimum 90 day lead time. Minimum order quantity may vary please contact sales.

¹ DLC Listed / ² DLC Premium Listed / ³ Title 24 / ⁴ JA8 & Title 24 / Typical color consistency. May vary or be changed.

L70 hours calculated based on LED package manufacturer LM80 report and ISTMT report of LED in luminaire. Stated values are for select catalog numbers. Contact GlobaLux for detailed information. / Actual performance may differ as a result of end-user environment and application. All values are design or typical values, measured under laboratory conditions at 25 °C.