

PROJECT	NOTES	TYPE	DATE	CAT. No.
---------	-------	------	------	----------



DOP

LED Decorative Outdoor Pocket Lantern

The DOP Series pocket lantern combines timeless aesthetics with practical functionality. Designed in a Traditional style, it features a milk white acrylic lens which creates a warm and inviting exterior ambiance while ensuring safety and security. Crafted from sturdy die-cast aluminum housing, this lantern is an excellent choice for illuminating hallways, garages, patios, and porches.



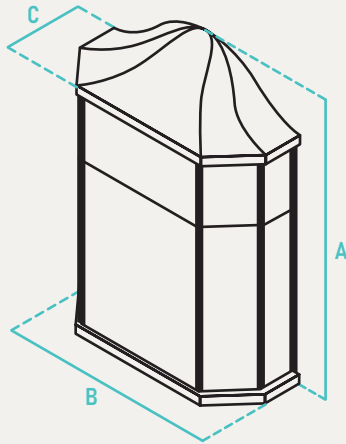
INPUT VOLTAGE	120V
INPUT FREQUENCY	60 Hz
RATED WATTAGE	See Performance Data
DELIVERED LUMENS	See Performance Data
EFFICACY	70 LPW (typ.)
CRI	80
AVAILABLE CCT	3000K, 4000K, 5000K
LENS TYPE	Acrylic

RATED LIFE	30,000hrs (Based on 3hrs a Day)
L70	>50,000hrs
POWER FACTOR	>0.9
THD	45%
DIMMING	N/A
OPERATING TEMP.	-4°F - 113°F / -20°C to 45°C
BEAM ANGLE	N/A

ORDER INFO / EXAMPLE: DOP-9-120-MCT-BL

QUICK SHIP ITEMS ON PG.2

SERIES	RATED WATTAGE	DRIVER TYPE	COLOR TEMP	FINISH
DOP	9	120	MCT	BL
DOP LED Decorative Outdoor Pocket Lantern	9- 9W, 630 Lumens	120- 120V	MCT- 3000K, 4000K, 5000K CCT Selectable Switch; 80CRI	BL- Black



PERFORMANCE DATA				
FORM FACTOR	KELVIN	RATED WATTAGE	DELIVERED LUMENS	EFFICACY (LM/W)
9W	3K/4K/5K	9W	630	70

QUICK SHIP
DOP-9-120-MCT-BL

ADDITIONAL IMAGES



	A	B	C	Case QTY
DOP	9.8" H	7.8" W	4.3" E	6

CONSTRUCTION

Rugged die cast aluminum housing withstands outdoor environments. Outer surface treated with durable power coating to provide resistant to corrosion, rust, weathering, and or degradation. Performance engineered internal heat dissipation provide superior thermal management for LED life and reliability. Lens design and materials provide uniform appearance without pixelation.

ELECTRICAL

Equipped standard with 120V fixed output driver operating at 60HZ.

QUALIFICATIONS

All luminaires are built to UL 1598 and 2108 standards, and bear appropriate ETL labels. Wet location labeling is standard. Adheres to LM70, LM80, and TM21 industry standards. Dedicated 120V Models are FCC Title 47 CFR, Part 15, Class B for residential and commercial applications.

INSTALLATION

Designed for mounting on 4" electrical J-Box.

WARRANTY

3-year Limited Warranty. See warranty documentation for more info.

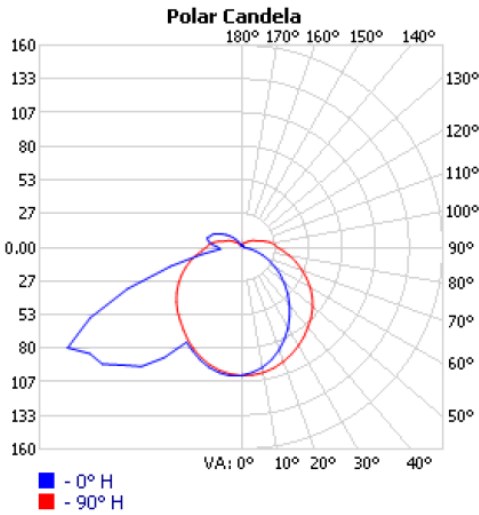
COMPATIBLE JUNCTION BOX



4" PVC	4" Octagon	4" PVC Ceiling Box	3-1/2" Octagon	4" Round Pancake	4" Octagon / V Bracket
--------	------------	--------------------	----------------	------------------	------------------------

PHOTOMETRIC DATA

DOP-9-120-MCT-BL



Zonal Lumen Summary

Zone	Lumens	% Lamp	% Luminaire
0-30	77.6	16.8%	16.7%
0-40	129.8	28%	28%
0-60	258.4	55.8%	55.7%
60-90	130.1	28.1%	28.1%
70-100	93.3	20.2%	20.1%
90-120	56.4	12.2%	12.2%
0-90	388.5	83.9%	83.8%
90-180	75.0	16.2%	16.2%
0-180	463.5	100.1%	100%

Made to order items. Minimum 90 day lead time. Minimum order quantity may vary please contact sales.

¹ DLC Listed / ² DLC Premium Listed / ³ Title 24 / ⁴ JA8 & Title 24 / Typical color consistency. May vary or be changed.

L70 hours calculated based on LED package manufacturer LM80 report and ISTMT report of LED in luminaire. Stated values are for select catalog numbers. Contact Globalux for detailed information. / Actual performance may differ as a result of end-user environment and application. All values are design or typical values, measured under laboratory conditions at 25 °C.