

Safety Precautions

PLEASE READ THESE INSTRUCTIONS CAREFULLY AND SAVE THEM. AS YOU MAY NEED THEM AT A LATER DATE.

1. Read all safety precautions and installation instructions carefully before installing or servicing this fixture. Failure to comply with these instructions could result in potentially
2. It is recommended that a qualified electrician perform all wiring. This fixture must be wired in accordance with all national and local electrical codes
3. Do not handle any energized fixture or attempt to energize any fixture with wet hands or while standing on a wet or damp surface or in water.
4. This fixture is designed for use in a 120-277VAC, 60Hz fused circuit.
5. To reduce the risk of electrical shock, and to assure proper operation, this fixture must be adequately grounded. To accomplish proper grounding, there must be a separate ground wire (green) contact between this fixture and the ground connection of your main power supply panel.
6. This fixture is intended to be used for general INdoor lighting in dry or damp locations

7. Disclaimer

Changes or modifications not expressly approved by the party responsible for compliance could void the user's authority to operate the equipment. **NOTE:** This equipment has been tested and found to comply with the limits for a Class B digital device, pursuant to Part 15 of the FCC Rules and Canadian ICES-005 (B) / NMB-005 (B). These limits are designed to provide reasonable protection against harmful interference in a residential installation. This equipment generates uses and can radiate radio frequency energy and, if not installed and used in accordance with the instructions, may cause harmful interference to radio communications. However, there is no guarantee that interference will not occur in a particular installation. If this equipment does cause harmful interference to radio or television reception, which can be determined by turning the equipment off and on, the user is encouraged to try to correct the interference by one or more of the following measures:

- A• Reorient or relocate the receiver antenna.
- B• Increase the separation between the equipment and receiver.
- C• Connect the equipment into an outlet on a circuit different from that to which the receiver is connected.
- D• Consult with the dealer or an experienced radio/TV technician for help.

Any modifications to this fixture may void the warranty and interfere with the safe operation of the luminaire. Operation is subject to the following two conditions: (1) this device may not cause interference, and (2) this device must accept any interference, including interference that may cause undesired operation of the device.

8. MIN 90 °C SUPPLY CONDUCTORS .

NEEDED TOOLS

- | | |
|-------------------------------------------------------------------------------------------------------------------------------------------------------------------------------------------------|-----------------------------------------------------------------------------------------------------------------------------------|
| <ul style="list-style-type: none"> • Safety Glasses • Ruler/Tape Measure • Flat Blade Screwdriver • Phillips Screwdriver • Adjustable Wrench | <ul style="list-style-type: none"> • Drill • 3/16" Drill Bit • 3/32" Drill Bit • Pliers |
|-------------------------------------------------------------------------------------------------------------------------------------------------------------------------------------------------|-----------------------------------------------------------------------------------------------------------------------------------|



Assembly Instructions

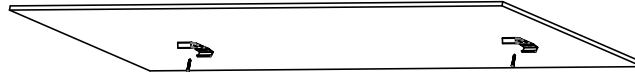
TURN OFF POWER FROM THE MAIN CIRCUIT BEFORE INSTALLING FIXTURE.

Step 1 . Carefully unpack the fixture from its package. Inspect product for defects due to shipping.

LNS Series Installation Instructions

Step 2 . Locate desired positioning for the fixture on the mounting surface. Then mounting the bracket on the ceiling.

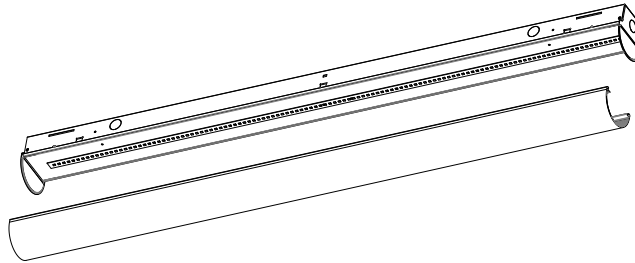
Fig 1



Step 3 . Turn off power to appropriate circuit at the breaker box.

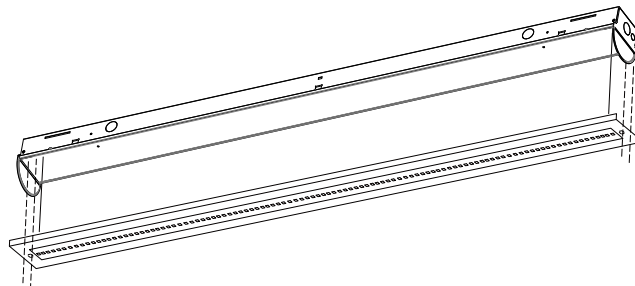
Step 4 . Take the lens out of fixture by squeezing and pulling up.

Fig 2



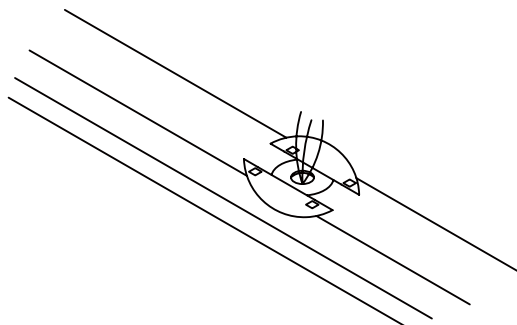
Step 5 . Take off LED module plate from the body of fixture. (Caution: avoid touching LEDs)

Fig 3



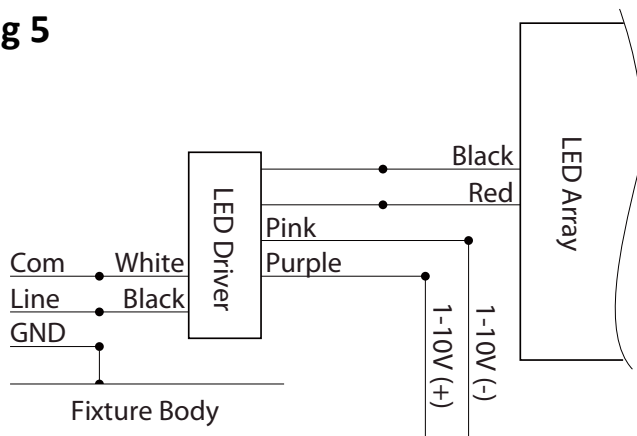
Step 6 . A. If mounting to the 4 inch JBox, assemble the cover plates into fixture.

Fig 4



- B. Plug the white and black wire of JBox into the quick connector. And connecting fixture by quick connector. Connect the ground wire (Green), dimmable wire+ (purple) and dimmable wire- (gray) of JBox to fixture by wire nut.

Fig 5

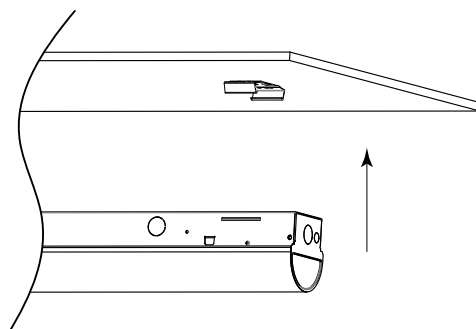


Step 7 . Take the LED module plate back to the fixture.

Step 8. Take the lens back to the fixture. Ensure assemble proper position.

Step 9. Push up the fixture in the mounting barcket on the ceiling.

Fig 6



Step 10. Turn power on and verify that the fixture is lit.

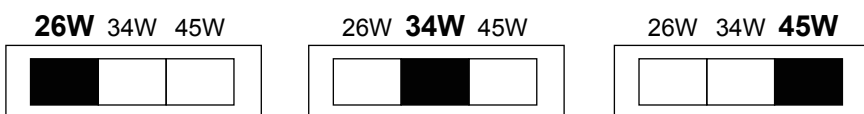
IMPORTANT SAFE PRACTICES

Wattage adjustment, three wattage (if desired).

- Adjust wattage switches on each driver accordingly to the desired wattage as seen below. All driver must be set the same way.

Note: Fixture is preset to 34W from factory. Power to fixture must always be turned OFF prior to adjusting wattage switches.

WATTAGE ADJUSTMENT SETTING

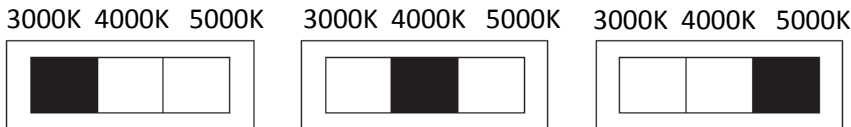


IMPORTANT SAFE PRACTICES

Color Changing Temperature Adjustment, CCT (if desired).

- Adjust CCT switches on each board accordingly to the desired color temperature as seen below. All boards must be set the same way.
Note: Fixture is preset to 3000K from factory. Power to fixture must always be turned OFF prior to adjusting CCT switches.

COLOR TEMPERATURE ADJUSTMENT SETTING



IMPORTANT SAFE PRACTICES

IMPORTANT SAFE PRACTICES

PLEASE READ CAREFULLY AND FOLLOW ALL INSTRUCTION FOR YOUR OWN SAFETY IMPORTANT: An un-switched AC power source of 120V AC to 277V AC is required.

- This device is designed for use in fixtures listed for dry and damp locations.
- CAUTION: Make sure all electrical connections conform to the National Electrical Code and all applicable local regulations.
- CAUTION: Do not let power supply cords touch hot surfaces.
- CAUTION: Do not mount near gas or electric heaters.
- CAUTION: Battery is rechargeable LiFePO4 type and must be recycled or disposed of properly.
- Do not use this emergency driver with accessory equipment other than recommended by manufacturer. Failure to follow this may cause an unsafe condition. Servicing should only be performed by qualified service personnel.
- Do not use this emergency driver for other than intended use. Equipment should be mounted in locations and at heights where it will not readily be subjected to tampering by unauthorized personnel.

WIRING DIAGRAM (TYP)

