

PROJECT	NOTES	TYPE	DATE	CAT. No.
---------	-------	------	------	----------



ABH

Architectural LED Bulkhead

The ABH Architectural Bulkhead seamlessly blends form and function. It features high-performance LEDs that provide efficient and reliable illumination. Encased in a weather-resistant aluminum housing, this bulkhead is built to withstand the elements. The frosted white high-impact diffuser ensures uniform light distribution, making it an ideal choice for outdoor architectural spaces. Whether illuminating walkways, stairwells, or building exteriors, the ABH Architectural Bulkhead combines aesthetics with practicality.



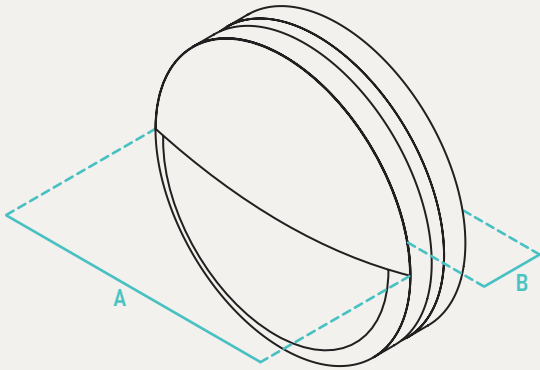
INPUT VOLTAGE	120V
INPUT FREQUENCY	60 Hz
RATED WATTAGE	See Performance Data
DELIVERED LUMENS	See Performance Data
EFFICACY	50 LPW (typ.)
CRI	80
AVAILABLE CCT	3000K, 3500K, 4000K
LENS TYPE	Plastic

RATED LIFE	50,000hrs
L70	>50,000hrs
POWER FACTOR	>0.9
THD	<20%
DIMMING	N/A
OPERATING TEMP.	-4°F - 113°F / -20°C to 45°C
BEAM ANGLE	N/A

ORDER INFO / EXAMPLE: ABH-SC-17-120-MCT-BL

QUICK SHIP ITEMS ON PG.2

SERIES	CUT-OFF	RATED WATTAGE	DRIVER TYPE	COLOR TEMP	FINISH
ABH	SC	17	120	MCT	BL
ABH Architectural LED Bulkhead	SC- Semi Cut-off NC- No Cut-off	11" Diameter 17- 17W, 850 Lumens	120- 120V	MCT- 3000K, 3500K, 4000K CCT Selectable Switch, 80CRI	BL- Black ORB- Oiled Rubbed Bronze



PERFORMANCE DATA

FORM FACTOR	KELVIN	RATED WATTAGE	DELIVERED LUMENS	EFFICACY (LM/W)
11"	3K/4K/5K	17W	850	50

QUICK SHIP

ABH-NC-17-120-MCT-BL	ABH-SC-17-120-MCT-BL
----------------------	----------------------

ADDITIONAL IMAGES



SC-Semi Cut-Off

NC- No Cut-Off



	A	B	Case QTY
ABH	11" Dia	3.5" E	5

CONSTRUCTION

Rugged die cast aluminum housing withstands outdoor environments. Outer surface treated with durable power coating to provide resistance to corrosion, rust, weathering, and or degradation. Performance engineered internal heat dissipation fins provide superior thermal management for LED life and reliability. Lens design and materials provide uniform appearance without pixelation.

ELECTRICAL

120V Driver operates at 60Hz

QUALIFICATIONS

All luminaires are built to UL 1598 and 2108 standards, and bear appropriate ETL labels. Wet location labeling is standard. Emergency equipped fixtures labeled UL924. Adheres to LM70, LM80, and TM21 industry standards.

INSTALLATION

Designed for mounting on 4" electrical J-Box.

WARRANTY

5-year Limited Warranty. See warranty documentation for more info.

COMPATIBLE JUNCTION BOXES



4" PVC



4" Octagon



4" PVC Ceiling Box



3-1/2" Octagon



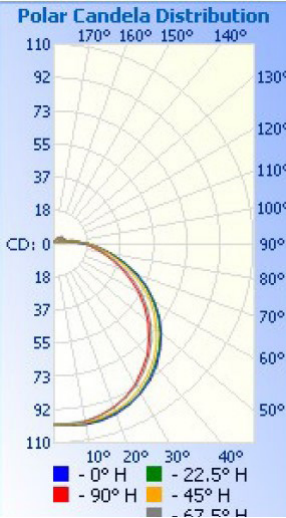
4" Round Pancake



4" Octagon / V Bracket

PHOTOMETRIC DATA

ABH



Zonal Lumen Summary			
Zone	Lumens	% Lamp	% Luminaire
0-30	78.4	21.6%	21.6%
0-40	129.8	35.8%	35.8%
0-60	236.4	65.1%	65.2%
60-90	93.9	25.9%	25.9%
70-100	62.3	17.2%	17.2%
90-120	20.6	5.7%	5.7%
0-90	330.3	91%	91.1%
90-180	32.5	8.9%	8.9%
0-180	362.8	99.9%	100%

Coefficients Of Utilization - Zonal Cavity Method																			
		Effective Floor Cavity Reflectance: 20%																	
RCC %:		80			70			50			30		10		0				
RW %:		70	50	30	0	70	50	30	0	50	30	20	50	30	20	50	30	20	0
RCR: 0		1.17	1.17	1.17	1.17	1.13	1.13	1.13	.91	1.06	1.06	1.06	1.00	1.00	1.00	.94	.94	.94	.91
1	1.05	.99	.94	.90	1.01	.96	.91	.73	.90	.86	.83	.84	.82	.79	.79	.77	.75	.72	
2	.94	.85	.78	.72	.91	.83	.76	.60	.78	.72	.67	.73	.68	.64	.69	.65	.61	.59	
3	.86	.74	.66	.59	.82	.72	.64	.50	.68	.61	.55	.64	.58	.53	.60	.55	.51	.49	
4	.78	.66	.56	.49	.75	.64	.55	.43	.60	.53	.47	.57	.50	.45	.53	.48	.44	.41	
5	.72	.58	.49	.42	.69	.57	.48	.37	.54	.46	.40	.51	.44	.39	.48	.42	.38	.35	
6	.66	.52	.43	.37	.64	.51	.42	.32	.48	.41	.35	.46	.39	.34	.43	.37	.33	.31	
7	.61	.47	.38	.32	.59	.46	.38	.29	.44	.36	.31	.42	.35	.30	.39	.34	.29	.27	
8	.57	.43	.34	.28	.55	.42	.34	.26	.40	.33	.27	.38	.31	.27	.36	.30	.26	.24	
9	.53	.39	.31	.25	.51	.39	.31	.23	.37	.30	.25	.35	.29	.24	.33	.28	.23	.21	
10	.50	.36	.28	.23	.48	.36	.28	.21	.34	.27	.22	.32	.26	.22	.31	.25	.21	.19	

Made to order items. Minimum 90 day lead time. Minimum order quantity may vary please contact sales.

¹ DLC Listed / ² DLC Premium Listed / ³ Title 24 / ⁴ JA8 & Title 24 / Typical color consistency. May vary or be changed.

L70 hours calculated based on LED package manufacturer LM80 report and ISTMT report of LED in luminaire. Stated values are for select catalog numbers. Contact Globalux for detailed information. / Actual performance may differ as a result of end-user environment and application. All values are design or typical values, measured under laboratory conditions at 25 °C.