

Part No. OSBL
Fixture Mounted Occupancy Sensor, Bi-Level



Introduction

Introduction

The OSBL mounts to an indoor lighting fixture and provides multi level control based on motion, by controlling the 0-10V LED drivers and ballasts, providing low/high lighting control. When motion is detected within the sensors coverage area, the relay in the sensor closes, and the lighting loads are automatically turned on.

Application

The slim, low profile OSBL is designed for installation by external lens to connect with light fixture body. The sensor is ideal for areas such as parking facilities, gas stations, pedestrian pathways and warehouses. A choice of two PIR sensor lenses ensures complete coverage for mounting heights up to 40'.

Features:

- . Works with ballasts or LED drivers
- . Adjustable ramp up and fade down times
- . Time delay from 5 - 30 minutes
- . Optional cutoff delay
- . Up to 200,000 On/Off cycles
- . Optional dusk to dawn controls

Dimming Configuration

The occupancy sensor to achieve tri-level dimming control, for some areas that require a light change notice before switch off. If offered 3 levels of light control: 100% dimming light (0, 10%, 30%, 50%) off; and 2 periods of selectable waiting time: motion hold time and standby time.



With sufficient natural light, the light does not switch on when presence detected



With insufficient natural light, the sensor switches on the light automatically when presence is detected.



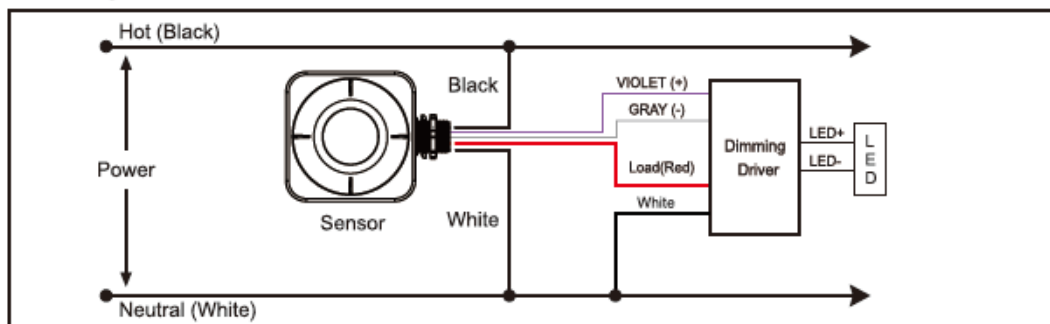
After hold-time, the light dims to stand by level if the surrounding natural light is below the daylight threshold.



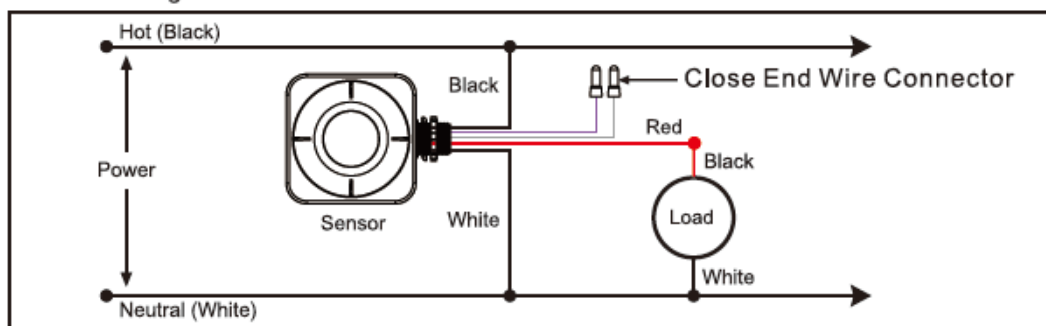
Light switches off automatically after the stand by period elapses.

Wiring Diagram

Dimming Driver

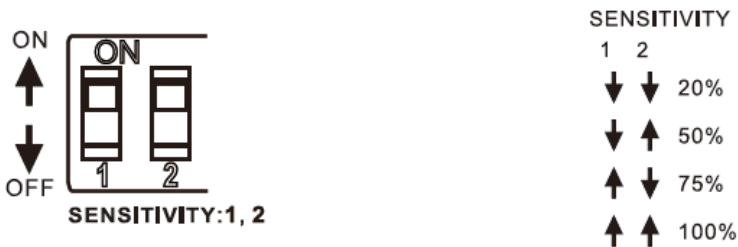


Non-Dimming Driver



Sensor Settings

Detection range is the term used to describe the radii of the more or less circular detection zone produced on the ground after mounting the sensor light at a height of 40 ft.



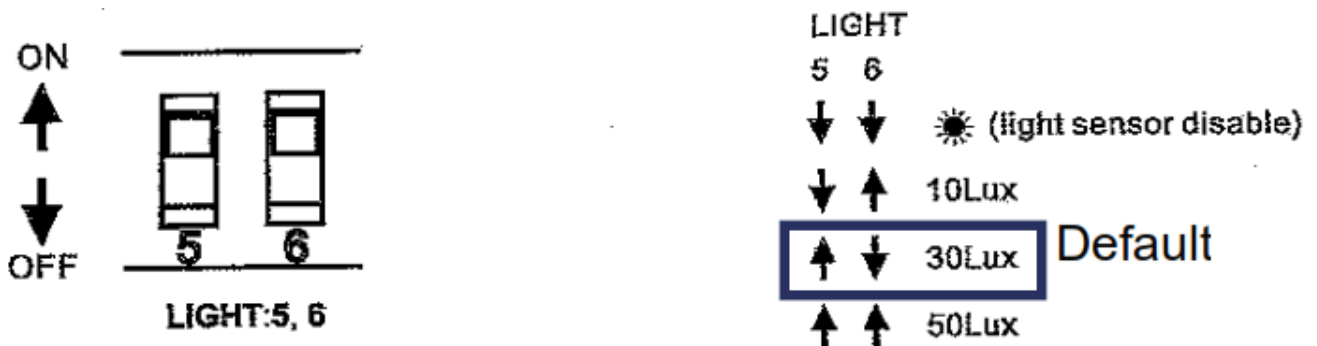
Hold Time Settings

The light can be set to stay ON for any period of time between approx. 10sec and a maximum of 15mins. Any movement detected before this time elapses will re-start the timer. It is recommended to select the shortest time for adjusting the detection zone.



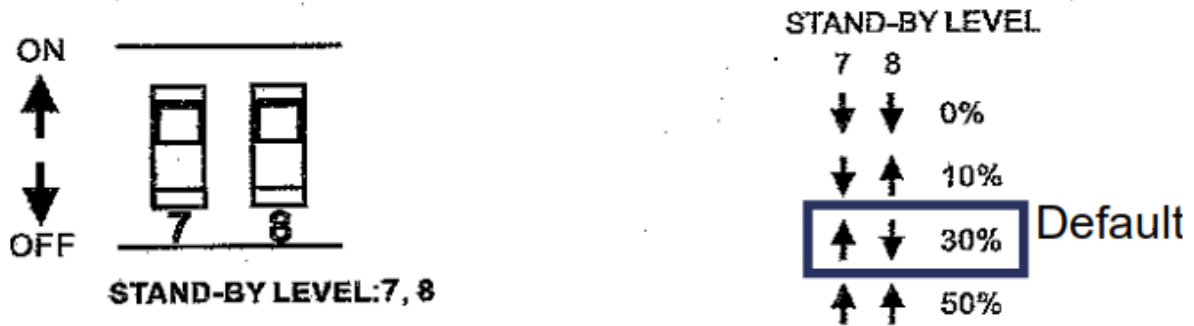
Light Control Setting

The chosen lamp response threshold can be infinitely from approx. 10-50 Lux , switch location and light control of the corresponding table as follows:



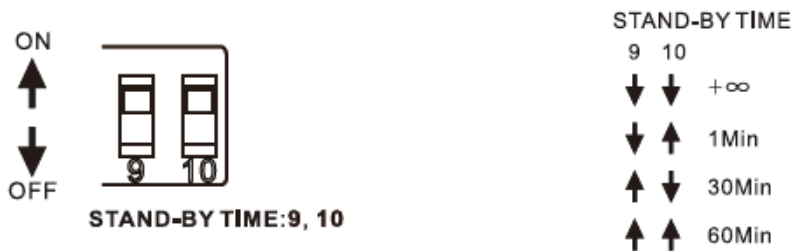
Stand by light level Settings

The corresponding file of switch location and stand-by level as follows:

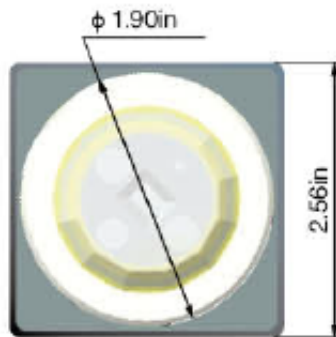
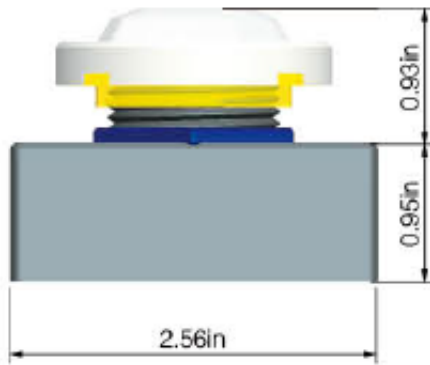


Stand by Time Setting

Switch to ON is the up arrow, switch OFF is down arrow. The corresponding file of switch location and standby time settings as follows:



Dimensions



OSBL Technical Specifications

Operating voltage	120-277Vac, 50Hz
Rated load	Incandescent/Halogen-800W/1200W@ 120/277V Electronic Ballast-800W/1200W@ 120/277V
Dim Control Output	0-10V, max. 25mA sinking current
Detection Radius	40ft height/360
Time Setting	10sec - 15min (adjustable)
Light Control	10-2,000Lux (adjustable)
Humidity	Max. 95% RH
Temperature	-40°C~75°C
Remote Range	50ft, indoor, no backlight